

Tried-and-tested quality.



G*GRASS®

»» rollerslides

Rugged single and full-extension drawer slides in tried-and-tested quality for top requirements.



Roller slides



Tried-and-tested quality and functionality.



System
information

Drawer slides

Technical
information

The traditional standard programme for domestic and commercial furniture.

Grass offers a wide variety of drawer slides and covers a large part of traditional furniture applications. Single and full-extension drawer slides available for different load capacities with excellent technical details guarantee the highest quality standards.

Drawer slides from Grass are known for their ultra-silent operation, minimum sagging, excellent side stability and a bottom corner clearance.

Standard drawer slides for a wide variety of furniture applications.

- Single and full-extension drawers for load capacities from 30 to 100 kg
- For lengths of 250 – 1000 mm
- Bottom mounting, self-closing
- Parallel closing, minimum gap
- Minimum deflection due to precision axle bearing
- Bottom corner clearance for efficient use of drawer bottom









Roller slides



Product overview.

		Page
<p>Single-extension slide, 30 kg</p> <ul style="list-style-type: none"> • Bottom mounting • Plastic rollers 		6
<p>full-extension slide, 50 kg</p> <ul style="list-style-type: none"> • Bottom mounting • Plastic rollers 		8
<p>Single-extension slide with tilt bracket, 30 kg</p> <ul style="list-style-type: none"> • Bottom mounting • Plastic rollers 		10
<p>Heavy-load Single-extension slide, 100 kg</p> <ul style="list-style-type: none"> • Bottom mounting • Steel ball bearing • Galvanized 		12
<p>Technical information</p>		14

System information

Drawer slides

Technical information

Roller slides

Single-extension slide, 30 kg



- Single-extension slide with nylon rollers, 30 kg, installation width 12.5 mm, bottom mounting
- Parallel closing
- Secure closing, minimum gap widths
- Bottom edge clearance
- Clearance of screw heads in cabinet slide
- Double stop
- Secure stop in open state possible

Single roller slides, 30 kg



Nominal length	Item No. white RAL 9010		Item No. cream RAL 9001		brown RAL 040
250	-	1702.250.2	1700.250.11	1702.250.11	1702.250.3
300	-	1702.300.2	1700.300.11	1702.300.11	1702.300.3
350	-	1702.350.2	1700.350.11	1702.350.11	1702.350.3
400	-	1702.400.2	1700.400.11	1702.400.11	1702.400.3
450	-	1702.450.2	1700.450.11	1702.450.11	1702.450.3
500	-	1702.500.2	1700.500.11	1702.500.11	1702.500.3
550	-	1702.550.2	1700.550.11	1702.550.11	1702.550.3
600	-	1802.600.2	1800.600.11	-	-
650	1800.650.2	-	1800.650.11	-	-
700	1800.700.2	-	1800.700.11	-	-
750	1800.750.2	-	-	-	-
800	1800.800.2	-	1800.800.11	-	-
	PU 1/20	PU 25	PU 1/20	PU 25	PU 25

PU 1/20 =

PU 25 = 25 Single-extension slides, left and right-handed, loose in the box

Euro screw, nickel-plated

Item No./Ø 6.3 x 10.5 mm

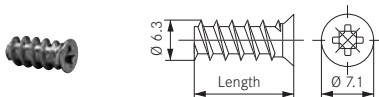
191

PU 1000

Item No./Ø 6.3 x 14 mm

192

PU 1000 = 1000 pieces



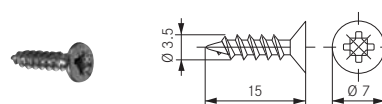
Chipboard screw, nickel-plated

Item No./Ø 3.5 x 15 mm

198

PU 1000

PU 1000 = 1000 pieces



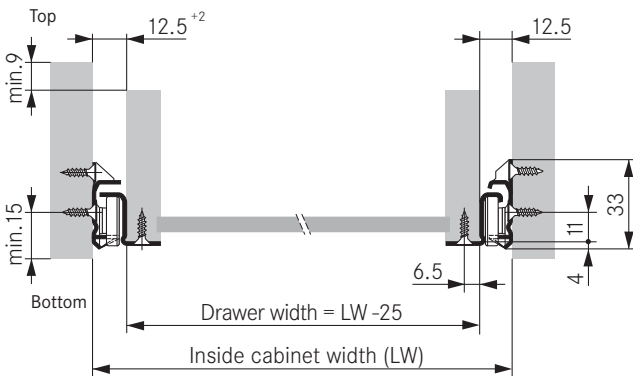
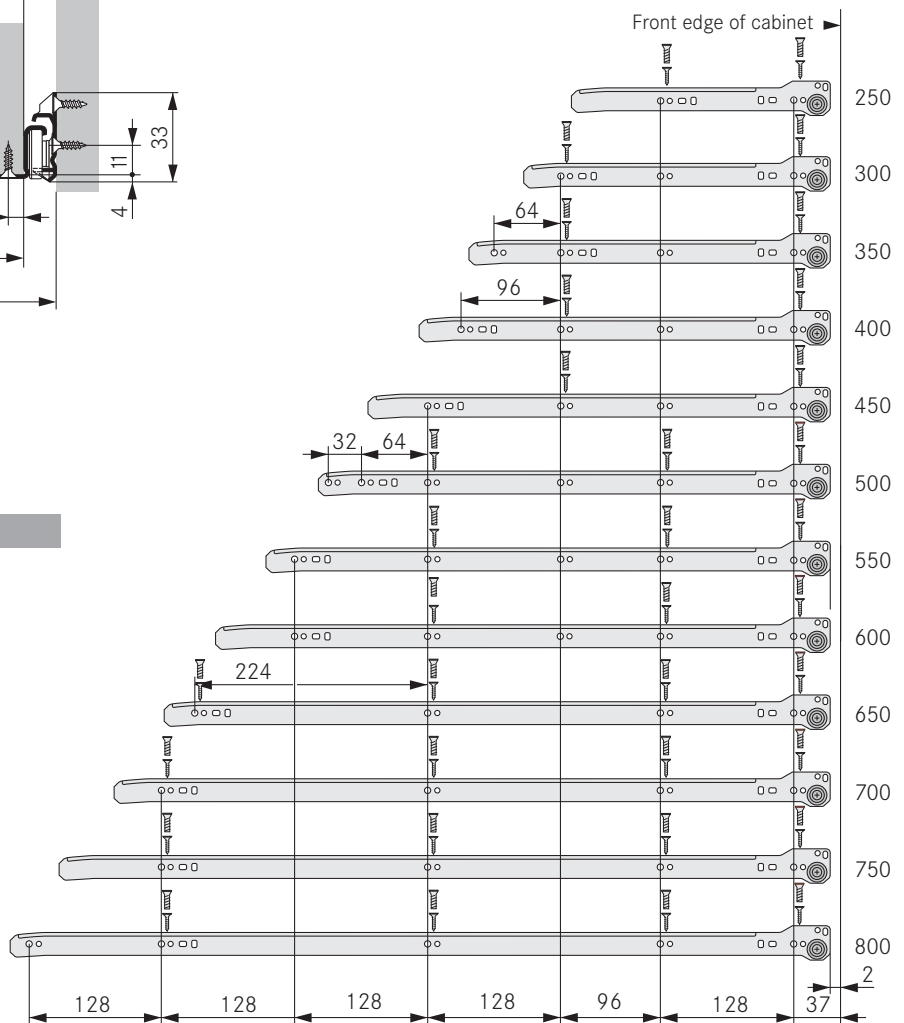
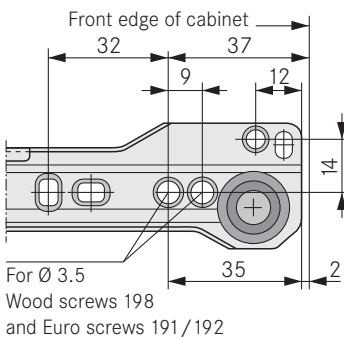
Nominal length	extension loss 1	extension loss 2
250	90	73
300	90	73
350	90	73
400	90	73
450	103	86
500	103	86
550	118	101
600	118	101
650	128	111
700	138	121
750	153	136
800	153	136

Extension loss 1:

Describes the extension loss when slide not stopped.

Extension loss 2:

Describes the extension loss when slide stopped.

Mounting positions
Mounting positions for cabinet slides

Mounting positions for front part of cabinet slide


All dimensions in millimetres.

Roller slides

full-extension slide, 50 kg



- full-extension slide with nylon rollers, 50 kg, installation width 12.5 mm, bottom mounting
- 30 mm over-extension
- Easy access
- Central rail can be adjusted
- Secure parallel closing
- Removal protection
- Secure connection of drawer to cabinet
- Bottom edge clearance
- Close fit of drawer slide at bottom

full-extension roller slides, 50 kg



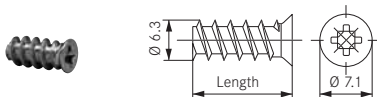
Nominal length	Item No. white RAL 9010	Item No. cream RAL 9001	brown RAL 8014
250	5300.250.2	5300.250.11	5300.250.3
300	5300.300.2	5300.300.11	5300.300.3
350	5300.350.2	5300.350.11	5300.350.3
400	5300.400.2	5300.400.11	5300.400.3
450	5300.450.2	5300.450.11	5300.450.3
500	5300.500.2	5300.500.11	5300.500.3
550	5300.550.2	5300.550.11	5300.550.3
600	5300.600.2	5300.600.11	5300.600.3
650	5300.650.2	5300.650.11	-
700	5300.700.2	5300.700.11	-
750	5300.750.2	5300.750.11	-
800	5300.800.2	5300.800.11	-
	PU 1/10	PU 1/10	PU 1/10

PU 1/10 =

Euro screw, nickel-plated

Item No./Ø 6.3 x 10.5 mm	Item No./Ø 6.3 x 14 mm
191	192
PU 1000	

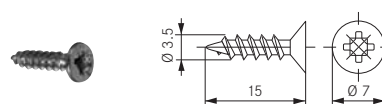
PU 1000 = 1000 pieces



Chipboard screw, nickel-plated

Item No./Ø 3.5 x 15 mm
198
PU 1000

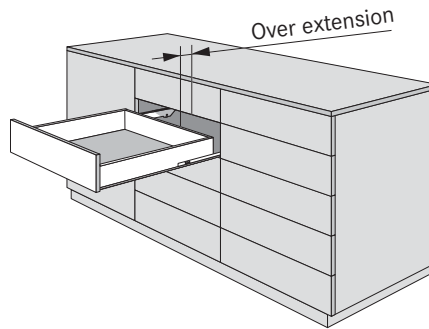
PU 1000 = 1000 pieces



Over-extension

Your essential benefit: more access

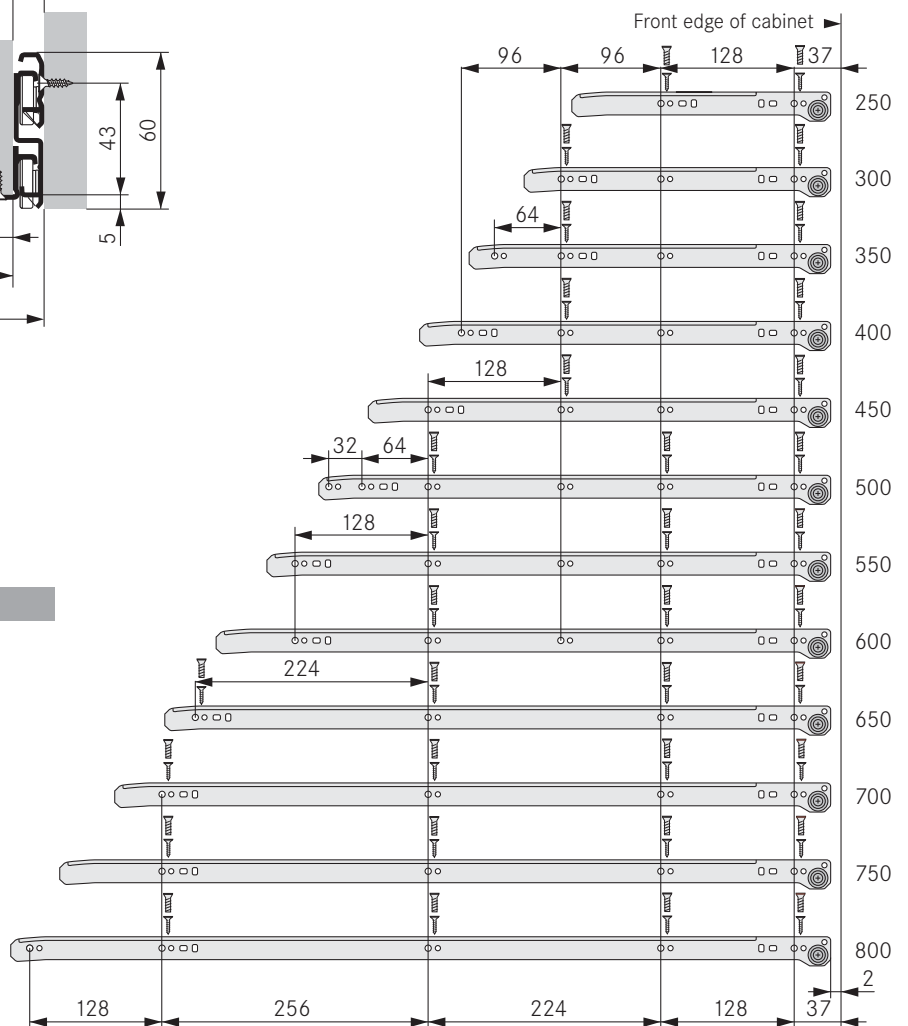
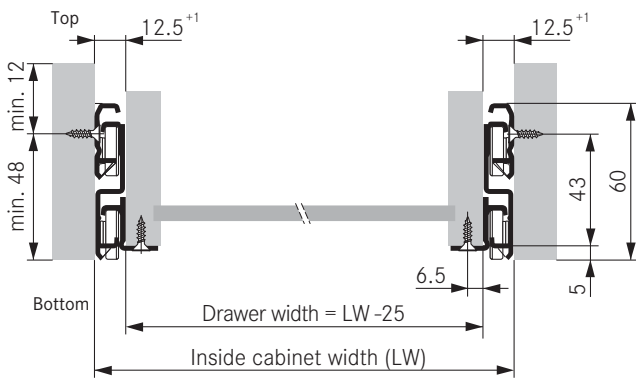
When fitted the drawer can be over-extended by 30 mm.
This avoids interference with the drawer front above when opened to full access.



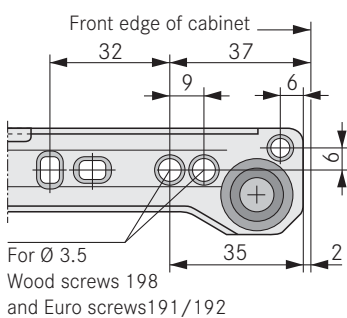
Nominal length	over-extension
250	10
300 – 350	15
400 – 800	30

Mounting positions

Mounting positions for cabinet slides



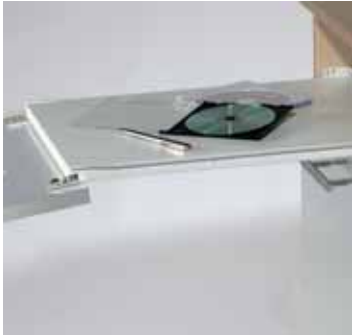
Mounting positions for front part of cabinet slide



All dimensions in millimetres.

Roller Slides

Single-extension with tilt bracket



- Single-extension slide with tilt bracket, nylon rollers, 30 kg, installation width 12.5 mm, bottom mounting
- Front can be tilted
- Access to trays from front
- Parallel closing
- Secure closing
- Bottom edge clearance
- Close fit of drawer slide at bottom
- Double stop
- Secure stop in open state possible

Single-extension roller slides with tilt bracket, 30 kg



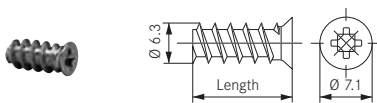
Nominal length	Item No. white RAL 9010
450	1754.450.2
500	1754.500.2
550	1754.550.2
PU 25	

PU 25 = 25 Single-extension slides, left and right-handed, loose in the box

Euro screw, nickel-plated

Item No./Ø 6.3 x 10.5 mm	Item No./Ø 6.3 x 14 mm
191	192
PU 1000	

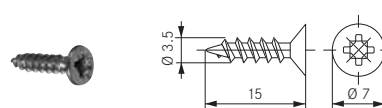
PU 1000 = 1000 pieces



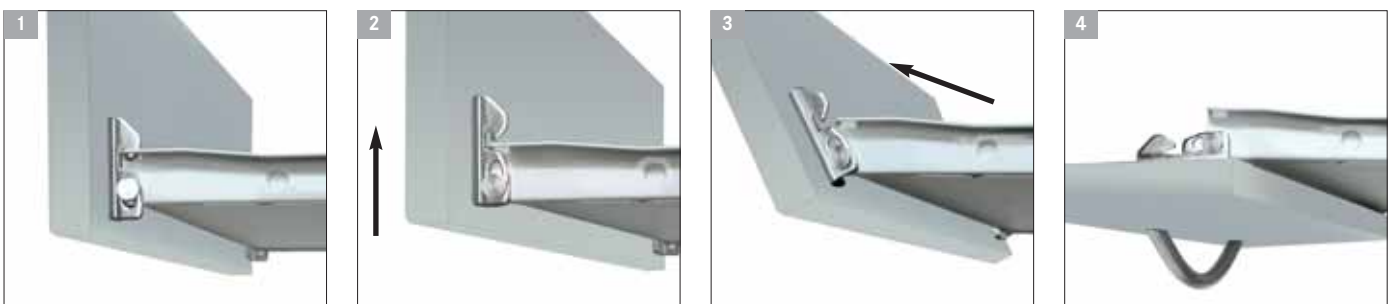
Chipboard screw, nickel-plated

Item No./Ø 3.5 x 15 mm
198
PU 1000

PU 1000 = 1000 pieces



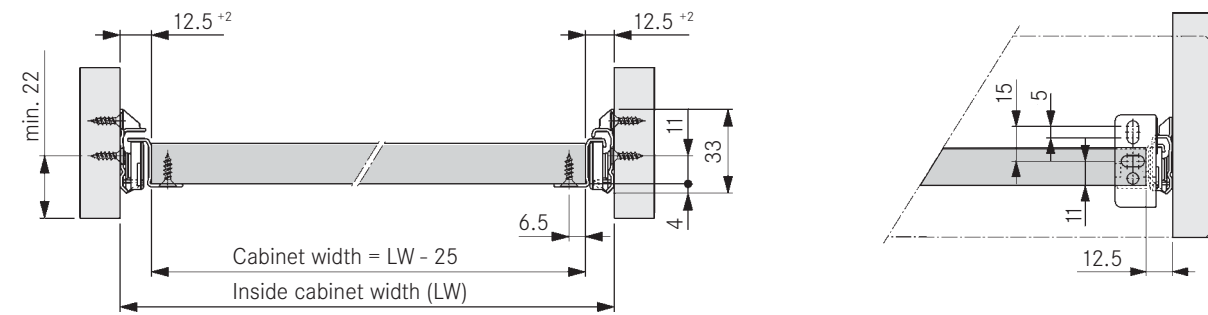
Application



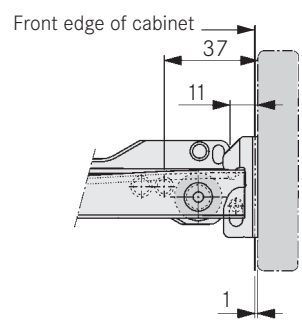
PU = Packing Unit

	Nominal length	extension loss 1	extension loss 2
Extension loss 1: Describes the extension loss when slide not stopped.	450	128	111
	500	138	121
	550	153	136
Extension loss 2: Describes the extension loss when slide stopped.			

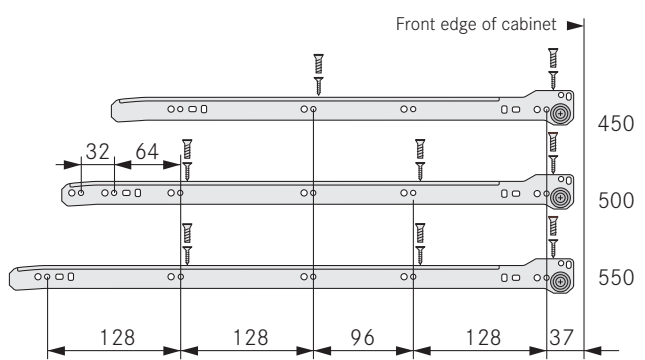
Mounting positions



Mounting positions for front part of cabinet slide



Mounting positions for cabinet slides



All dimensions in millimetres.

Drawer slides

Heavy load Single-extension slide, 100 kg



- Single-extension slide with steel ball bearings, 100 kg, installation width 17.5 mm, bottom mounting
- Secure drawer front positions in closed condition
- Double stop
- Secure stop in open state possible
- System stop for interior drawers

Ball bearing - Single-extension slide, 100 kg



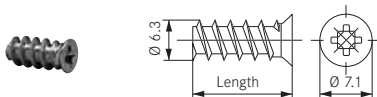
Nominal length	Item No.	Item No.
400	-	4000.400.5
450	-	4000.450.5
500	-	4000.500.5
550	-	4000.550.5
600	4000.600.5	-
700	4000.700.5	-
800	4000.800.5	-
900	4000.900.5	-
1000	4000.1000.5	-
	PU 1/6	PU 1/10

PU 1/6 =
PU 1/10 =

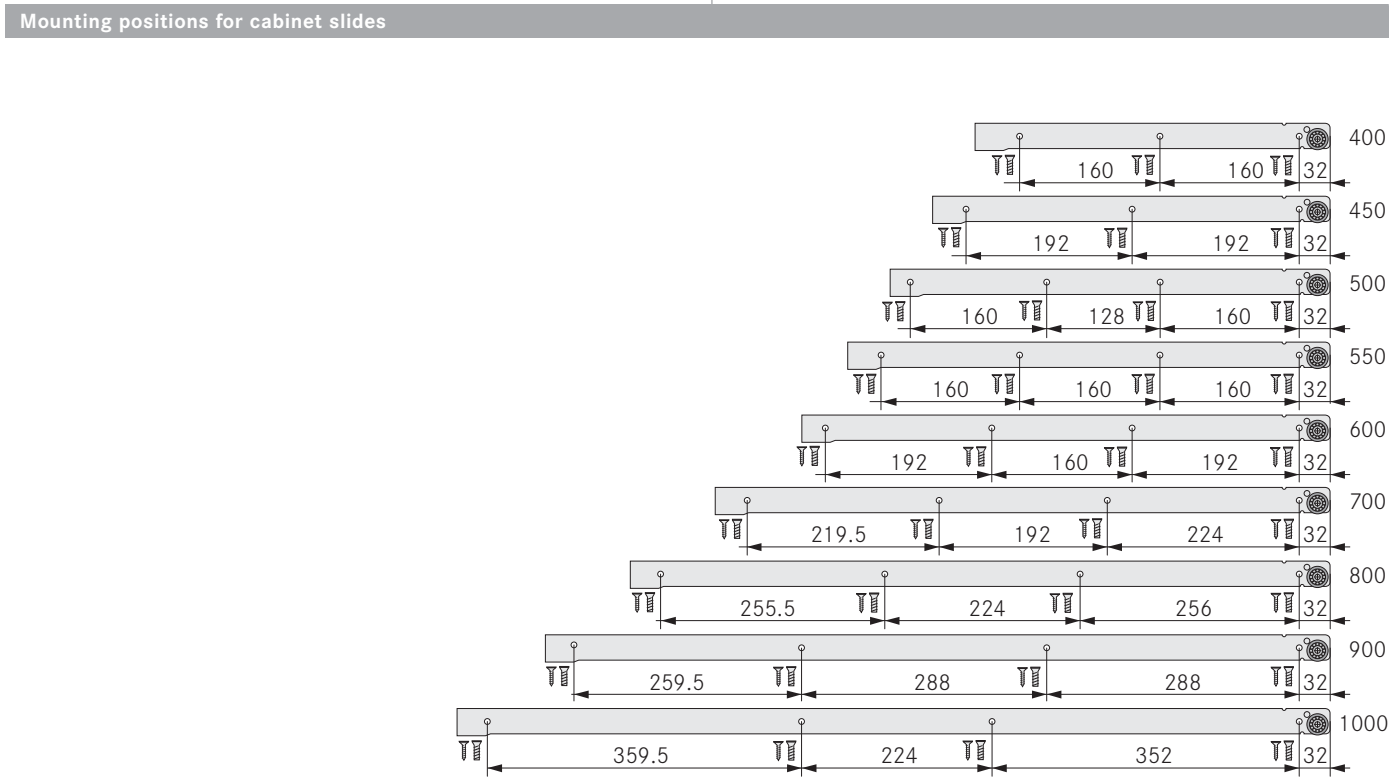
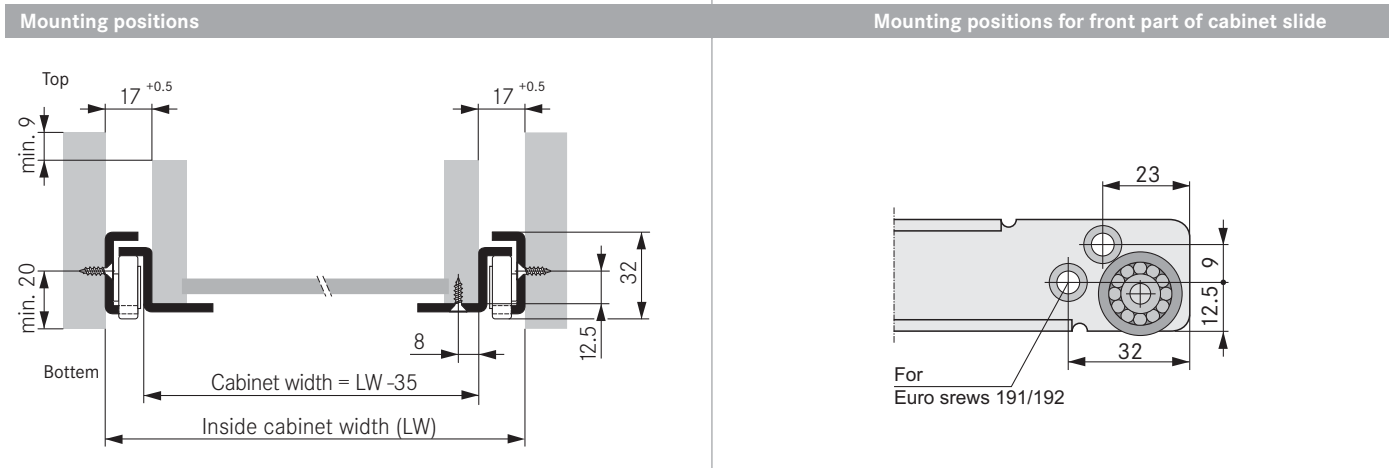
Euro screw, nickel-plated

Item No./Ø 6.3 x 10.5 mm	Item No./Ø 6.3 x 14 mm
191	192
PU 1000	PU 1000

PU 1000 = 1000 pieces



	Nominal length	extension loss 1	extension loss 2
Extension loss 1: Describes the extension loss when slide not stopped. Extension loss 2: Describes the extension loss when slide stopped.	400	105	90
	450	105	90
	500	105	90
	550	105	90
	600	115	100
	700	135	120
	800	135	120
	900	150	135
	1000	150	135

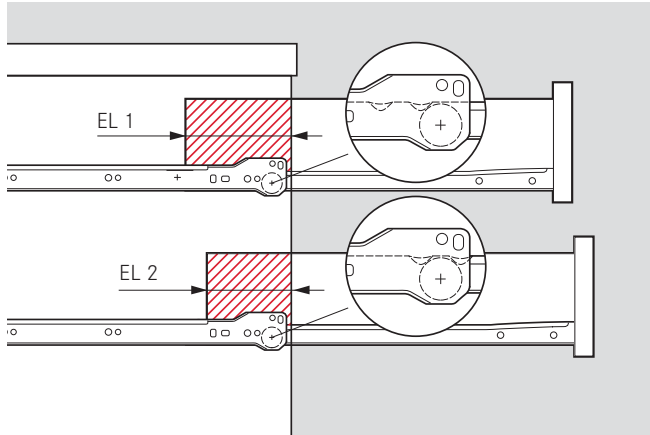


All dimensions in millimetres.

Technical information

for roller slides.

Extension loss with Single-extension slides



Single-extension slides have two kinds of extension losses (EL)

EL 1:

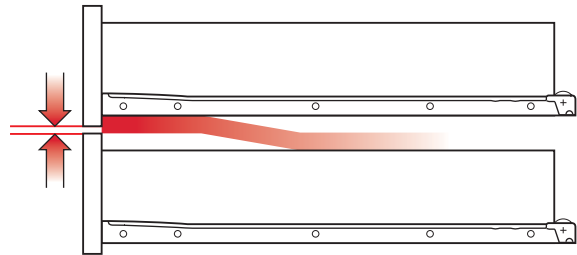
is the extension loss when not stopped.

EL 2:

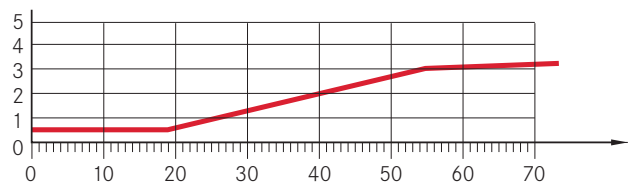
is the extension loss when stopped.

Small minimum gap

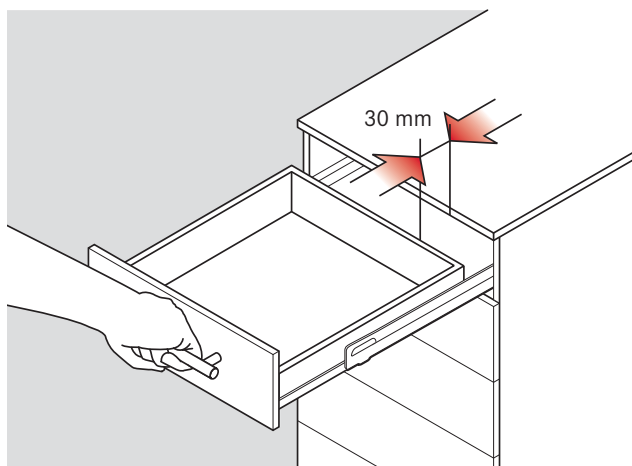
Carefully engineered parallel-closing range allows minimal gaps between drawer fronts.



Minimum gap for 19 mm drawer front = 0.5 mm

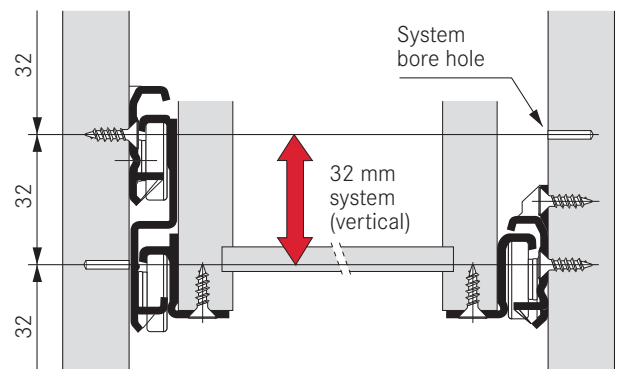


Over-extension at full-extension slides



Your essential benefit: more access. When fitted, the drawer can be over-extended by 30 mm. This avoids interference with the drawer front above when open for full access.

System-compatible



Single and full-extension slides are vertically interchangeable in 32 system.

Fixing of cabinet slides:

The data is based on reference chipboard in accordance with DIN 68858, MDF and hardwood boards.

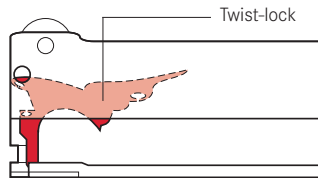
If other types of woods and thicknesses are used, please consider the proper screw types as well as numbers of screws used.

Twist-lock

- For functioning self-closing slide
- For safe carrying capacity of 50 kg
- For convenient drawer insertion and removal

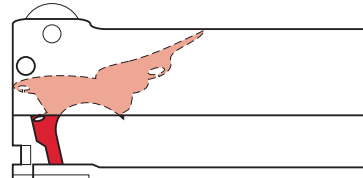
Check mounting positions

Correct position for inserting drawer

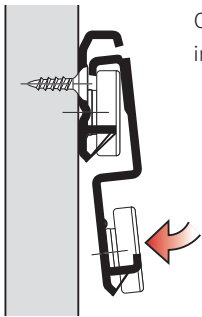


Wrong position

Insertion of centre rail is not possible.

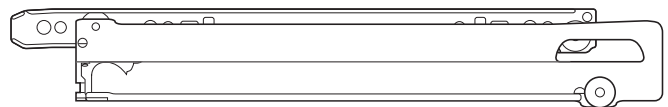


Insertion of centre rail

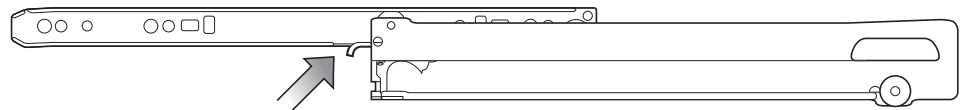


Centre rails to be inclined for insertion into cabinet slides at rear position.

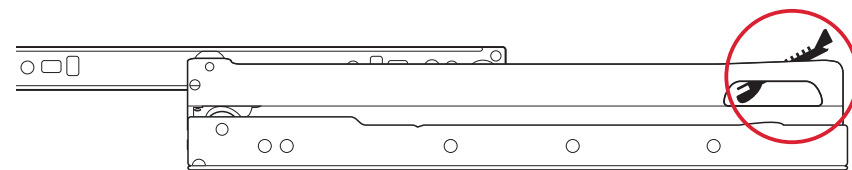
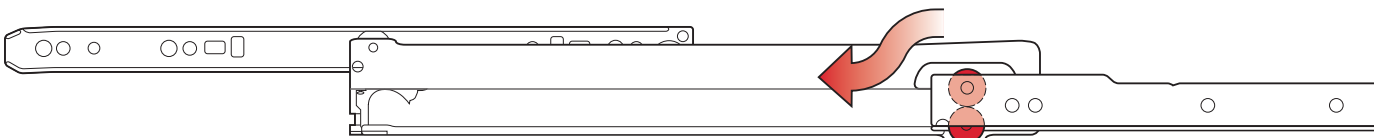
Correct position



Wrong position



Insertion, securing, and removal of drawer



Insertion of drawer

Extend intermediate slide fully to the open stop. Insert the drawer as horizontally as possible over the roller on both sides simultaneously.

Malfunction of twist-lock

Any malfunction of the centre rail is automatically corrected by fully extending the drawer.

Mounting of safety lock:

One pair of black safety locks is supplied with the cabinet slide. Separate safety locks and insert (A) and push in (B) into the opening of the centre rail with the drawer fully open - pay attention to the direction of the arrow!

Removing the drawer

Pull the drawer out to the stop, lift safety lock at the centre (C) and disengage. Move twist-lock into the insertion position. This makes it possible to insert the centre rail and remove it if required.

Safety lock

The safety lock prevents accidental removal of the drawer and is a major safety feature.



Grass GmbH
Furniture fittings
Grass Platz 1
6973 Höchst
Austria

Tel. +43 / 5578 / 701-0
Fax +43 / 5578 / 701-59

www.grass.at, info@grass.at