

*Light the motion.*



**G\*GRASS®**

## III > **illuxo**

This unique hinge-light system brings life and lifestyle into every furniture.



## Light the motion.



Every movement will become a parade of light with illuxo.



**Pleasure and sense have perhaps never come so close. illuxo not only offers functional light design but also a unique experience.**

Opening a door with illuxo is like drawing back the stage curtain at a concert. The cones of light cast by illuxo move like the stage spotlights of your very own performance, producing unparalleled light effects.

Whether in kitchen, bathroom or living area, light has long since become an integral part of modern furniture; it touches your senses and appeals to your feelings. Light brings furniture to life.

The new illuxo hinge-light system adds a fascinating facet to your imagination: illuxo offers light design with moving light.

**The design and function of illuxo adapted to the hinges CST TWIN NT and CS Click-on series are a perfect harmony.**

illuxo not only looks elegant, it is also easy to use. The hinge-light system can be quickly and securely combined with the hinges of the CST Twin NT and CS Click-on series without the need for tools. In addition to that illuxo can newly be combined with the unique hinge system for mirror and glass doors.

### **Practically:**

illuxo can be fitted immediately or at a later date. Battery-powered, without the need for wiring and with integrated switch, your application options are virtually unlimited. Isn't it wonderful when functionality, technology and design combine in an integral system like illuxo as well as improving the furniture experience.

**illuxo redefines the joy of furniture.**

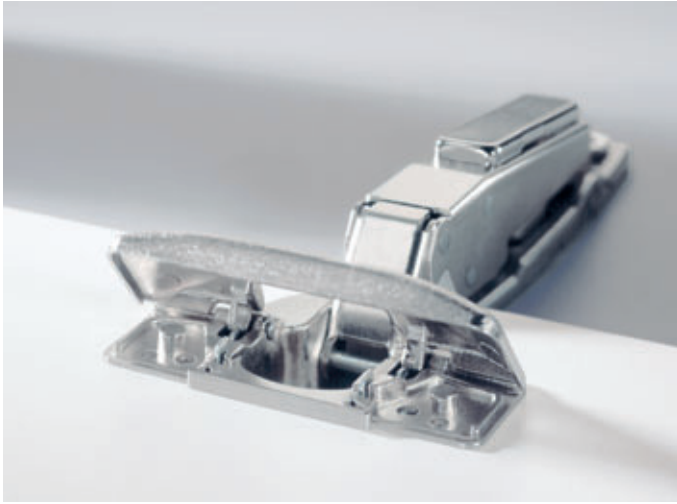
And in combination with Soft-close – the matching hinge-damping system from Grass – illuxo is setting new standards in premium furniture design.

**illuxo combines functionality and elegance to make a unique light system, that turns every movement into an experience for the senses. You have to believe your eyes.**



## illuxo CST

For tool-less quick-fit hinges (Twin NT)



### Mounting is toolless, easy and quick:

- 1 Take door off the cabinet, open flap of hinge cup.
- 2 Insert illuxo CST adapter onto locator pins which are attached to the hinge cup.  
Close Twin NT flap of hinge cup completely.
- 3 Insert LED-Spot into the illuxo CST adapter.
- 4 Insert completely into the adapter.
- 5 Insert battery into the battery cover cap.
- 6 Attach battery cover cap onto the illuxo CST adapter and click-on with soft pressure.

Click-on cabinet door to mounting plates.



- Can be fitted to existing installations
- Wireless power supply
- Energy-saving LEDs
- Tool-less mounting
- Integrated automatic switching
- No heat produced

Not suitable for frame doors.

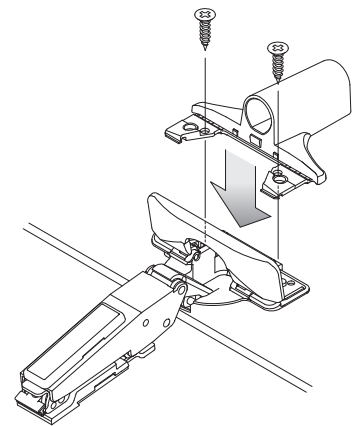
illuxo CST	light color	item no.
illuxo CST set, white	○	924.200.41.7074
illuxo CST set, blue	●	924.200.41.7054
PU (Packing Unit)		1 set

Battery	item no.
Lithium battery 3,6 Volt 1/2 AA	924.000.70.0000
PU (Packing Unit)	1 pc.

### Introduction

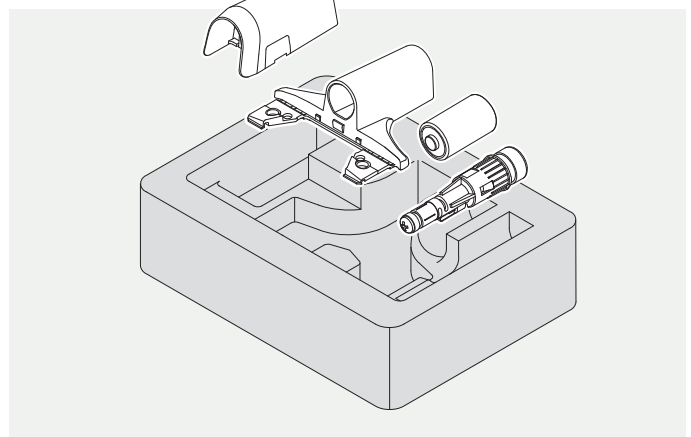
- We always recommend the screwing of the adapter (3 x13 mm screws).
- We always recommend a trial mount.

**The CST adapter MUST be screwed-on when used in combination with flaps.**



### 1 set consists of:

- 1 illuxo CST adapter
- 1 LED-Spot (with white or blue light)
- 1 Battery cover cap
- 1 Battery



\*The used LED corresponds to laser class 1

## illuxo CS

For quick-fit hinges with click-on technology



### Mounting is toolless, easy and quick:

- 1 Take door off the cabinet. Insert illuxo CS adapter into notches located on the sides of the hinge cup and attach adapter.
- 2 Press both sides of the adapter downwards until you hear a noticeable "click".
- 3 Insert LED-Spot into the illuxo CS adapter.
- 4 Insert completely into the adapter.
- 5 Insert battery into the battery cover cap.
- 6 Attach battery cover cap onto the illuxo CS adapter and click-on with soft pressure.

Click-on cabinet door to mounting plates.



- Can be fitted to existing installations
- Wireless power supply
- Energy-saving LEDs
- Tool-less mounting
- Integrated automatic switching
- No heat produced

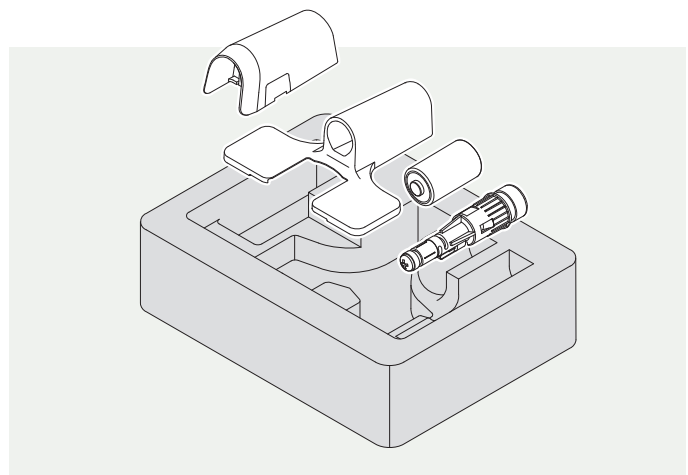
Not suitable for frame doors.

illuxo CS	light color	item no.
illuxo CS set, white		924.200.40.7074
illuxo CS set, blue		924.200.40.7054
PU (Packing Unit)		1 set

Battery	item no.
Lithium battery 3,6 Volt 1/2 AA	924.000.70.0000
PU (Packing Unit)	1 pc.

**1 set consists of:**

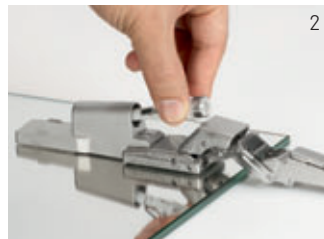
- 1 illuxo CS adapter
- 1 LED-Spot (with white or blue light)
- 1 Battery cover cap
- 1 Battery



\*The used LED corresponds to laser class 1

## illuxo Mirro

Quick-fit hinge for mirror and glass doors



### Easy and quick mounting:

- 1 Take door off the cabinet. Position illuxo Mirro adapter and screw together.
- 2 Insert LED-Spot into the illuxo Mirro adapter.
- 3 Insert completely into the adapter.
- 4 Insert battery into the battery cover cap.
- 5 Attach battery cover cap onto the illuxo Mirro adapter and click-on with soft pressure.

Click-on cabinet door to mounting plates.



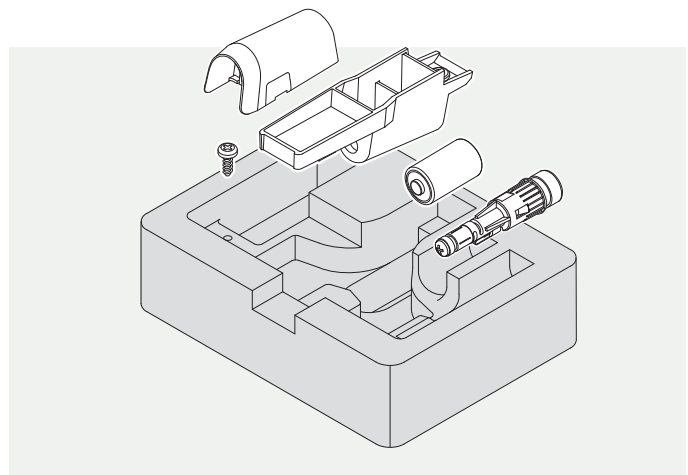
- Can be fitted to existing installations
- Wireless power supply
- Energy-saving LEDs
- Can be combined with Soft-close
- Integrated automatic switching
- No heat produced

illuxo Mirro	light color	item no.
illuxo Mirro set, white	○	924.200.38.7074
illuxo Mirro set, blue	●	924.200.38.7054
PU (Packing Unit)		1 set

Battery	item no.
Lithium battery 3,6 Volt 1/2 AA	924.000.70.0000
PU (Packing Unit)	1 pc.

**1 set consists of:**

- 1 illuxo Mirro adapter
- 1 Special screws M3x10
- 1 LED-Spot (with white or blue light)
- 1 Battery cover cap
- 1 Battery



\*The used LED corresponds to laser class 1

## illuxo range overview

Usage options with existing hinge series



### Range overview for illuxo CST and CS hinges

Function	Cranking/Angle	Overlay +1 mm	Standard	Overlay -3 mm
<b>F04</b> Opening angle 100°	<b>C00</b> (full overlay)	without cover cap	●	●
	<b>C08</b> (half overlay)	●	●	●
	<b>C15</b> (inset)	●	●	●
<b>F05</b> Opening angle 95°	<b>C00</b> (full overlay)	without cover cap	without cover cap	●
	<b>C08</b> (half overlay)	●	●	●
	<b>C15</b> (inset)	●	●	●
<b>F22</b> Opening angle 110°	<b>C00</b> (full overlay)	without cover cap	●	●
	<b>C08</b> (half overlay)	●	●	●
<b>F29</b> Opening angle 125°	<b>C00</b> (full overlay)	●	●	●
	<b>C08</b> (half overlay)	●	●	●
<b>F05</b> Opening angle 95°	<b>30°</b> Angle hinge	-	●	●
	<b>45°</b> Angle hinge (inset)	-	●	●
	<b>45°</b> Angle hinge (full overlay)	-	●	●
<b>F29</b> Opening angle 125°	<b>-14°</b> Angle hinge	●	●	●



### Range overview for illuxo Mirro

Function	Cranking/Angle	Overlay +1 mm	Standard	Overlay -3 mm
<b>F07</b> Opening angle 128°	<b>C00</b> (full overlay)	●	●	●
<b>F07</b> Opening angle 128°	<b>-15°</b> Angle hinge	●	●	●





**G\* GRASS®**

Grass GmbH  
Furniture fittings  
Grass Platz 1  
6973 Höchst  
Austria

Tel. +43 / 5578 / 701-0  
Fax +43 / 5578 / 701-59

[www.grass.at](http://www.grass.at), [info@grass.at](mailto:info@grass.at)