

Wall cabinets continue to rank among the most favoured storage solutions for kitchens. And they are destined to remain so, thanks to our extremely functional and comfortable flap systems.

With all the space available at the top of cabinets, the only limit is personal choice. Our Kinvaro flap systems redefine the principle of the classic wall cabinet. Stable and reliable movement systems, easy and silent in application, ergonomically well-designed and comfortable to operate – these are the special ingredients for modern storage concepts. Kinvaro flap systems represent the perfect synthesis of innovative design ambition and functional movement in the spirit of modern furniture culture.



01

 **GRASS®**

KINVARO FLAP SYSTEMS

Exclusive flap fittings - the top solution for design, technology and operating comfort.



Kinvaro flap fittings

Application range.

- Flap fronts with bar handles*
- Flap fronts without handles or with small handles

Flap height	Fitting Type	Flap width									
		400	500	600	700	800	900	1000	1100	1200	
300 mm											
	Kinvaro T-65										
	Kinvaro T-70										
	Kinvaro T-57										
Kinvaro T-105											

Flap height	Fitting Type	Flap width								
		400	500	600	700	800	900	1000	1100	1200
350 mm										
	Kinvaro T-65									
	Kinvaro T-70									
	Kinvaro T-57									
Kinvaro T-105										

Flap height	Fitting Type	Flap width									
		400	500	600	700	800	900	1000	1100	1200	
400 mm											
	Kinvaro T-65										
	Kinvaro T-70										
	Kinvaro T-75										
Kinvaro T-57											
Kinvaro T-105											

Flap height	Fitting Type	Flap width									
		400	500	600	700	800	900	1000	1100	1200	
450 mm											
	Kinvaro S-35										
	Kinvaro T-65										
	Kinvaro T-70										
	Kinvaro T-75										
Kinvaro T-57											
Kinvaro T-105											

Flap fronts with bar handles*
 Flap fronts without handles or with small handles

Flap height	Fitting Type	Flap width									
		400	500	600	700	800	900	1000	1100	1200	
500 mm	Kinvaro S-35										
	Kinvaro T-65										
	Kinvaro T-70										
	Kinvaro T-75										
	Kinvaro T-57										
	Kinvaro T-105										

Flap height	Fitting Type	Flap width								
		400	500	600	700	800	900	1000	1100	1200
550 mm	Kinvaro S-35									
	Kinvaro T-65									
	Kinvaro T-70									
	Kinvaro T-75									

Flap height	Fitting Type	Flap width								
		400	500	600	700	800	900	1000	1100	1200
600 mm	Kinvaro F-20									
	Kinvaro S-35									
	Kinvaro T-65									
	Kinvaro T-70									
	Kinvaro T-75									

Kinvaro flap systems

Quaturis corner cabinet systems

Cabinet suspension fittings

Single-joint hinges

Parallel lift fittings

Shelf supports

Index

* Bar handles must be calculated with 0.1 kg per 100 mm handle width when calculating the flap weight.
 Data based on 19 mm chipboard (density approx. 0.65 kg/dm³).
 Additional cabinet measurements on request.

Kinvaro flap fittings

Application range.

- Flap fronts with bar handles*
- Flap fronts without handles or with small handles

Flap height	Fitting Type	Flap width								
		400	500	600	700	800	900	1000	1100	1200
650 mm										
	Kinvaro F-20									
	Kinvaro S-35									

Flap height	Fitting Type	Flap width								
		400	500	600	700	800	900	1000	1100	1200
700 mm										
	Kinvaro F-20									
	Kinvaro S-35									

Flap height	Fitting Type	Flap width								
		400	500	600	700	800	900	1000	1100	1200
750 mm										
	Kinvaro F-20									
	Kinvaro S-35									

Flap height	Fitting Type	Flap width								
		400	500	600	700	800	900	1000	1100	1200
800 mm										
	Kinvaro F-20									

* Bar handles must be calculated with 0.1 kg per 100 mm handle width when calculating the flap weight.
 Data based on 19 mm chipboard (density approx. 0.65 kg/dm³).
 Additional cabinet measurements on request.

Product overview.

		Page
	<p>Kinvaro F-20 flap fitting</p> <ul style="list-style-type: none"> • Particularly smooth movement • Suitable for handle-free kitchens • Closing with integrated, adjustable damping 	1.6 - 11.1
	<p>Kinvaro S-35 flap fitting</p> <ul style="list-style-type: none"> • Suitable for kitchens with cornices, pelmets and attached lights • Extremely smooth movement • High stability 	1.12 - 1.17
	<p>Kinvaro T-65 flap fitting</p> <ul style="list-style-type: none"> • Adjustable damping integrated into fitting • For light to medium-weight flaps 	1.18 - 1.29
	<p>Kinvaro T-70 Kinvaro T-75 flap fittings</p> <ul style="list-style-type: none"> • Adjustable damping integrated into fitting • Wide range of applications 	1.18 - 1.29 1.18 - 1.29
	<p>Kinvaro T-57 flap fitting</p> <ul style="list-style-type: none"> • Opening angle 75° or 90° • For wood and aluminium flaps • Simple installation 	1.30 - 1.33
	<p>Kinvaro T-105 flap stay</p> <ul style="list-style-type: none"> • Innovative design • Wide range of applications • Spring-assisted opening 	1.34 - 1.37

Kinvaro flap systems

Quaturis corner cabinet systems

Cabinet suspension fittings

Single-joint hinges

Parallel lift fittings

Shelf supports

Index

Kinvaro F-20

Top performance for flap fittings.



The Kinvaro F-20 folding flap fitting moves flaps smoothly and safely – and really comes into its own on handle-free cabinet fronts.

When a folding flap is opened, the spring-assisted function guarantees smooth movement and holds both flaps securely in any position. The opening angle can be selected and set individually by the user with a stopper function. Even heavy flaps made of MDF or glass can be closed extremely gently and silently with the Kinvaro F-20, thanks to its integrated, adjustable damping mechanism.

A special connecting hinge with reveal adjustment controls the synchronous movement of the two flaps arranged one above the other.

In addition, an integrated finger protection guarantees safe closing for tall or short kitchen users.

The design of the Kinvaro F-20, including its attractively shaped cover cap available in different colours, is co-ordinated to match all other models in the product family, and blends in elegantly with all modern interiors.

Hinges for use in combination with the Kinvaro F-20 can be found in the Grass Hinge Catalogue



Example:
Nexis Click-on 22



Example:
Nexis Click-on 17AL

Drilling jigs for Kinvaro F-20 on request.

All product benefits at a glance

- Extremely smooth movement
 - Also for use with handle-free furniture fronts
 - Even heavy flaps easy to open and close thanks to spring-assisted opening function and integrated, adjustable damping for closing action
 - Holds flap securely in any position
 - Opening limiter adjustable to up to 90°
 - Designed for different cabinet fronts
 - Wide range of applications for extremely diverse cabinet materials and flap weights,
- e.g. wood, glass, MDF with narrow or wide aluminium or wood frames
- Simple flap installation without tools and extremely easy adjustment of entire flap element
 - Pre-fitted Euro screws for fastening the fitting to the side wall
 - For use with two cabinet shelves with a cabinet height of 65 cm or more and with the shelves evenly spaced

Application range

Flap weight from 3.8 kg to 19.2 kg

Flap size: width 400 mm - 1200 mm, height 2 x 260 mm - 2 x 400 mm

Fitting installation on one side

For cabinet dimensions of more than 600 mm in width, the fitting has to be used on both sides.

For cabinet dimensions of up to 600 mm in width, the fitting can be used on one side only. In this case, the possible flap weights specified in the following table must be halved.

Cabinet height mm	Guide level type	Flap weight incl. handle ^o in kg		
		Spring B	Spring C	Spring D
520 – 559	Type 2	4.6 – 13.8 ⁽¹⁾	-	-
560 – 599	Type 3	4.4 – 12.6	7.0 – 14.7 ⁽¹⁾	-
600 – 649	Type 4	4.1 – 12.1	6.8 – 15.8 ⁽¹⁾	-
650 – 699	Type 5	3.8 – 11.4	6.7 – 16.9 ⁽¹⁾	-
700 – 749	Type 6	-	6.5 – 16.4	10.0 – 18.0
750 – 800	Type 7	-	6.0 – 15.6	8.6 – 19.2

Calculation of flap weight (all measurements in dm)

Flap width x flap height x flap thickness x density⁽²⁾ + handle weight⁽³⁾ = flap weight

Example: 6 dm x 4 dm x 0.19 dm x 0.85 + 0.9 kg/dm³ = 4.8 kg

Calculation of flap width (all measurements in dm)

$$\frac{\text{Flap weight} - \text{handle weight}^{(3)}}{\text{Flap height} \times \text{flap thickness} \times \text{density}^{(2)}} = \text{Flap width} \quad \text{Example: } \frac{4.8 - 0.9}{4 \times 0.19 \times 0.85} = 6.0 \text{ dm (600 mm)}$$

⁽¹⁾ This value corresponds to the maximum flap weight with a 1200 mm cabinet width and bar handle in 22 mm thick MDF material (0.85 kg/dm³).

⁽²⁾ Density: pine/spruce = 0.45 kg/dm³, chipboard = 0.65 kg/dm³, MDF = 0.85 kg/dm³

⁽³⁾ Bar handles must be calculated with 0.1 kg per 100 mm handle width when calculating the flap weight. Other weights are possible. When using higher weights, please consult the manufacturer. We recommend performing a trial mounting before series application.

Ordering information for set packaging

Kinvaro F-20 is available in industrial or set packaging.

Folding flap fitting Kinvaro F-20 set packaging

Guide level type	Spring	Item No.
Type 2	B	D2876007125
Type 3	B	D2876012125
Type 3	C	D2876013125
Type 4	B	D2876017125
Type 4	C	D2876018125
Type 5	B	D2876022125
Type 5	C	D2876023125
Type 6	C	D2876028125
Type 6	D	D2876030125
Type 7	C	D2876033125
Type 7	D	D2876035125
PU/packaging unit		PU 1

PU 1 = 1 set per carton consisting of: 1 fitting right and left, 2 fixing brackets for wood incl. cover caps,

1 cover cap right sided and 1 left sided in grey RAL 7040, 2 connecting hinges, 1 mounting instruction

Aluminium frame adapter Kinvaro F-20 set packaging

	Item No.
Aluminium frame adapter for small aluminium frames (19 mm) / overlay 13-17 mm	D2879013000
PU/packaging unit	PU 1

PU 1 = 1 set / 1 set consisting of: 2 aluminium frame adapters, 8 fixing screws, 1 mounting instruction

All dimensions in millimetres.

Kinvaro F-20

Folding flap fitting.

Ordering information for industrial packaging

The Kinvaro F-20 is available in industrial or set packaging.

Folding flap fitting Kinvaro F-20 industrial packaging

	Guide level type	Spring	Item No.
Kinvaro F-20 left	Type 2	B	D2877013125
Kinvaro F-20 right	Type 2	B	D2877014125
Kinvaro F-20 left	Type 3	B	D2877023125
Kinvaro F-20 right	Type 3	B	D2877024125
Kinvaro F-20 left	Type 3	C	D2877025125
Kinvaro F-20 right	Type 3	C	D2877026125
Kinvaro F-20 left	Type 4	B	D2877033125
Kinvaro F-20 right	Type 4	B	D2877034125
Kinvaro F-20 left	Type 4	C	D2877035125
Kinvaro F-20 right	Type 4	C	D2877036125
Kinvaro F-20 left	Type 5	B	D2877043125
Kinvaro F-20 right	Type 5	B	D2877044125
Kinvaro F-20 left	Type 5	C	D2877045125
Kinvaro F-20 right	Type 5	C	D2877046125
Kinvaro F-20 left	Type 6	C	D2877055125
Kinvaro F-20 right	Type 6	C	D2877056125
Kinvaro F-20 left	Type 6	D	D2877059125
Kinvaro F-20 right	Type 6	D	D2877060125
Kinvaro F-20 left	Type 7	C	D2877065125
Kinvaro F-20 right	Type 7	C	D2877066125
Kinvaro F-20 left	Type 7	D	D2877069125
Kinvaro F-20 right	Type 7	D	D2877070125
PU/packaging unit			PU 10

PU 10 = 1 carton with 10 fittings right or left, 1 mounting instruction, 10 adjustment instructions

Connecting hinges Kinvaro F-20 industrial packaging

	Colour	Item No.
Connecting hinges	nickel plated	D2859025125
PU/packaging unit		PU 20

PU 20 = 1 carton with 20 connecting hinges

Cover caps Kinvaro F-20 industrial packaging

	Colour	Item No.
Cover cap left	grey RAL 7040	D2879001907
Cover cap right	grey RAL 7040	D2879002907
Cover cap left	white	D2879001962
Cover cap right	white	D2879002962
Cover cap left	alu coloured RAL 9006	D2879001997
Cover cap right	alu coloured RAL 9006	D2879002997
PU/packaging unit		PU 10

PU 10 = 1 carton with 10 cover caps right or left

Other colours on request.

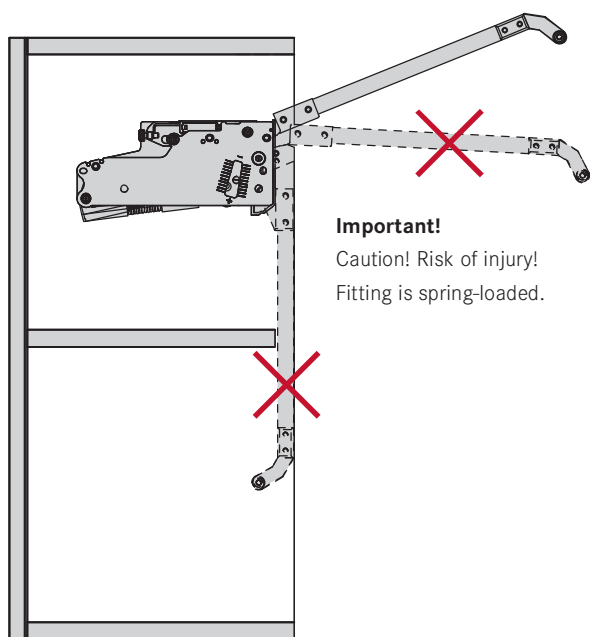
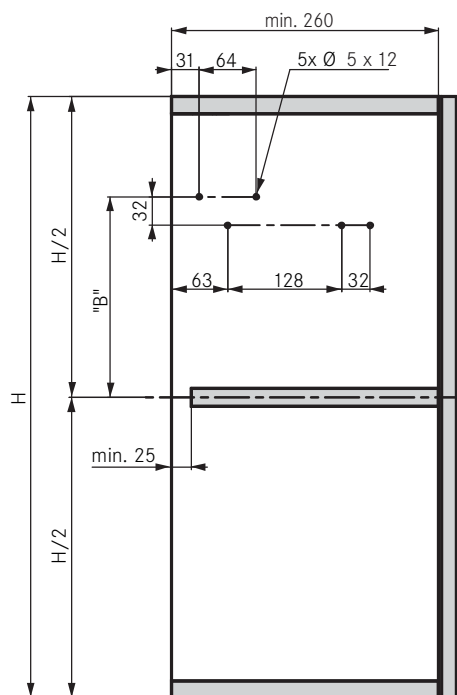
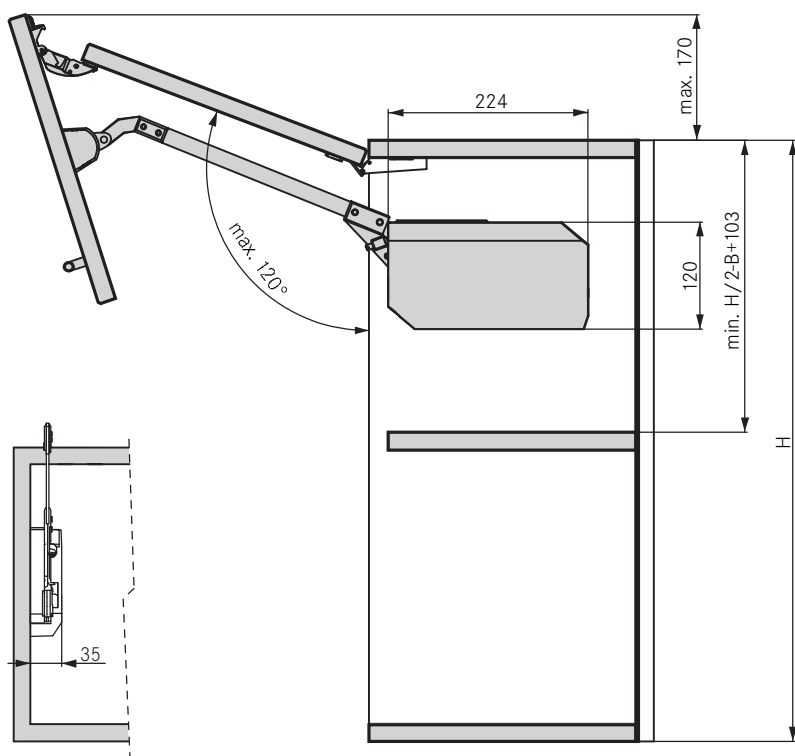
Fixing brackets Kinvaro F-20 industrial packaging

	Item No.
Standard fixing bracket	D2879011000
Fixing bracket with aluminium frame adapter / overlay 13 - 17 mm	D2879014000
PU/packaging unit	PU 10

PU 10 = 1 carton with 10 fixing brackets right or left

Mounting and installation information

Left cabinet side (right cabinet side mirror image)



Important!
Caution! Risk of injury!
Fitting is spring-loaded.

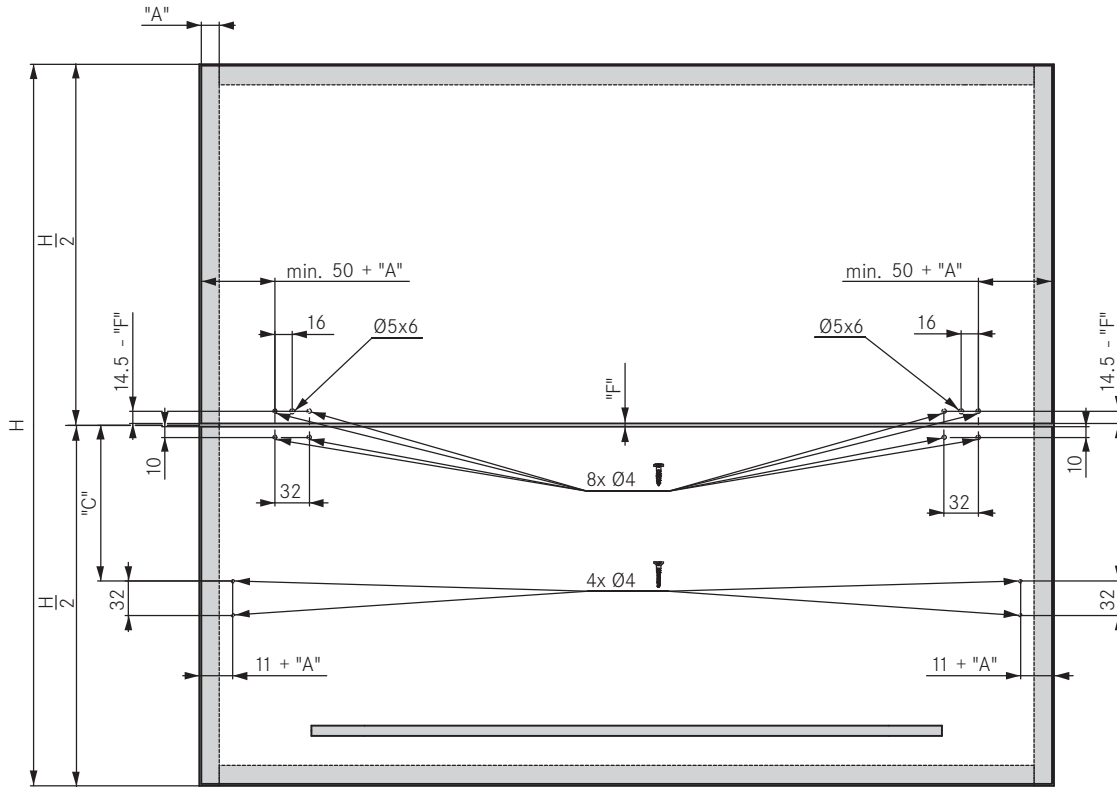
H (height)	Kinvaro F-20	"B"
520 - 529	2	173
530 - 539	2	158
540 - 549	2	143
550 - 559	2	128
560 - 569	3	183
570 - 579	3	168
580 - 589	3	153
590 - 599	3	138
600 - 609	4	208
610 - 619	4	198
620 - 629	4	178
630 - 639	4	168
640 - 649	4	158
650 - 699	5	225
700 - 749	6	235
750 - 800	7	250

Kinvaro F-20

Folding flap fitting.

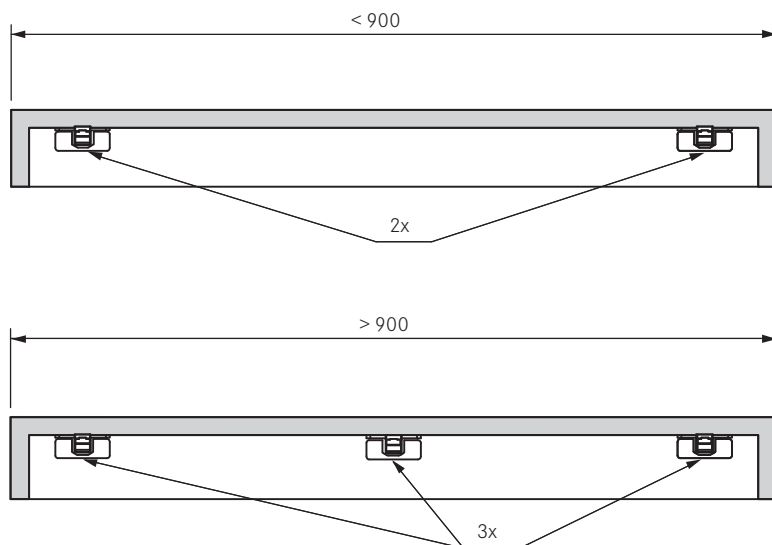
Mounting positions for wooden flaps and frame flaps (min. 45 mm width)

Flap inside



A = 13 - 17 mm

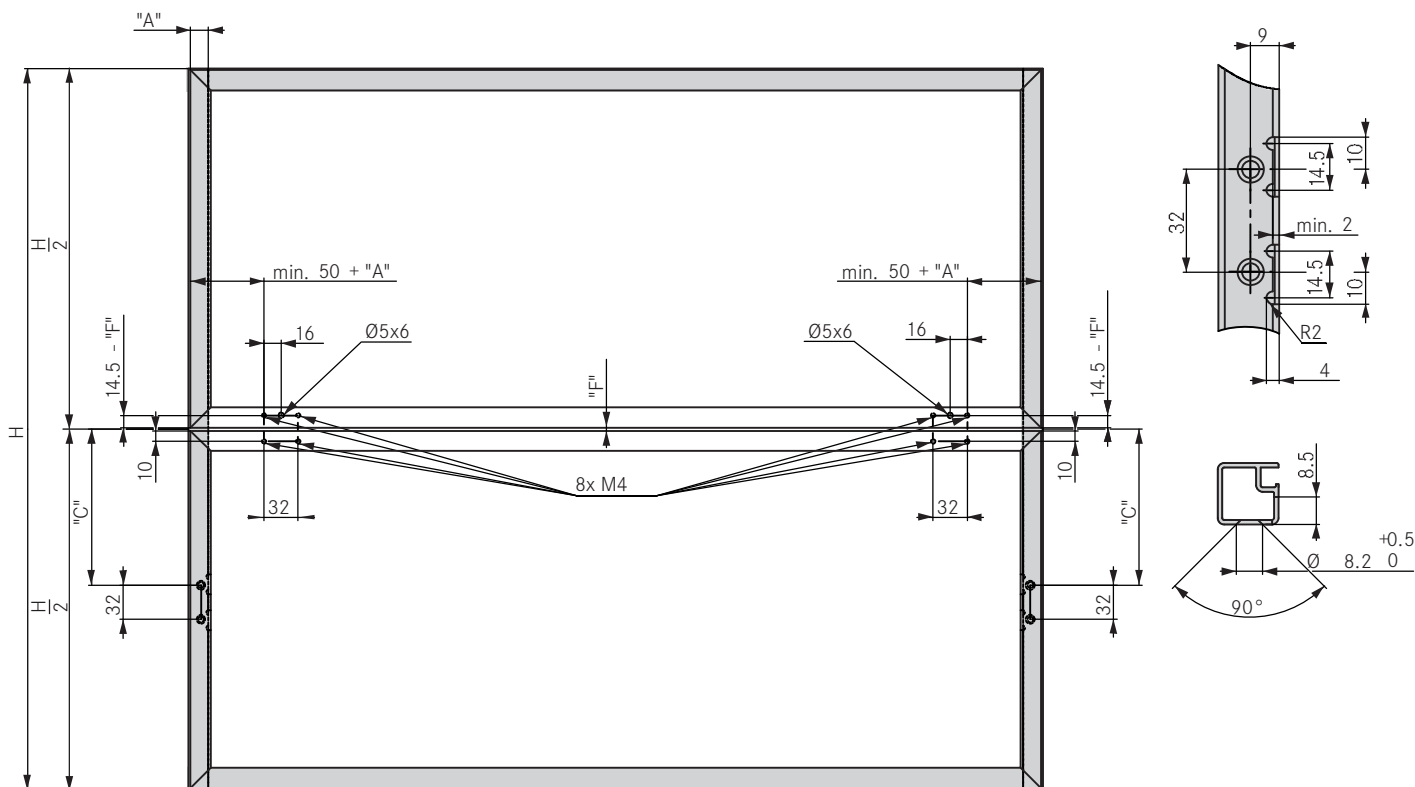
The reveal (F) can be between 2 mm and 5 mm.



H (height)	Kinvaro F-20	"C"
520 - 529	2	133
530 - 539	2	148
540 - 549	2	163
550 - 559	2	178
560 - 569	3	145
570 - 579	3	160
580 - 589	3	175
590 - 599	3	190
600 - 609	4	138
610 - 619	4	148
620 - 629	4	168
630 - 639	4	178
640 - 649	4	188
650 - 699	5	146
700 - 749	6	156
750 - 800	7	166

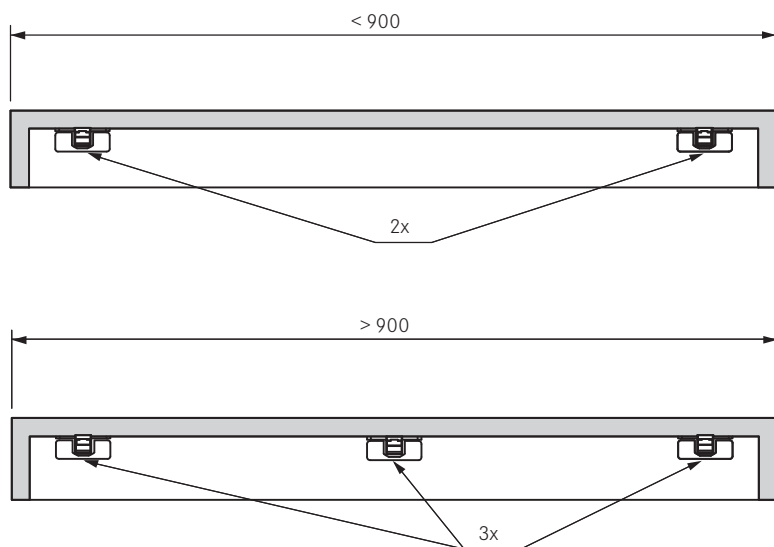
Mounting positions for standard aluminium frame profiles (19 mm)

Flap inside



A = 13 - 17

The reveal (F) can be between 2 mm and 5 mm.



H (height)	Kinvaro F-20	"C"
520 - 529	2	133
530 - 539	2	148
540 - 549	2	163
550 - 559	2	178
560 - 569	3	145
570 - 579	3	160
580 - 589	3	175
590 - 599	3	190
600 - 609	4	138
610 - 619	4	148
620 - 629	4	168
630 - 639	4	178
640 - 649	4	188
650 - 699	5	146
700 - 749	6	156
750 - 800	7	166

All dimensions in millimetres.

Kinvaro
flap systems

Quaturis
corner cabinet systems

Cabinet
suspension fittings

Single-joint
hinges

Parallel
lift fittings

Shelf supports

Index

Kinvaro S-35

The elegant spring pack for lift-up flaps.



Modern appearance which swings elegantly into position

Not only does it permit the flaps of wall-mounted kitchen cabinets to open with the ultimate ease and close with gently damped motion: the Kinvaro S-35 also lifts flaps up at an angle above the cabinet and elegantly above cornices, pelmets and attached lights. The spring-assisted opening function also makes for the ideal balance. From an angle of around 45°, the Kinvaro S-35 holds the flap firmly in any position, safely leaving the user with both hands free. The spring force of the fitting can be adjusted with maximum ease both for lightweight natural wood flaps and for heavier versions in MDF

or glass. The Kinvaro S-35 is also available for handle-free kitchens and for all popular fronts with narrow or wide wood or aluminium frames. An integrated, individually adjustable damping mechanism guarantees extremely quiet, gentle closing action. Stability is assured by the special design of the fitting and an easily mountable cross member which also permits width compensation for side walls of 15 mm - 19 mm thickness.

The solid metal fitting is maintenance-free and protected against corrosion by a galvanised finish refinement. The modern look of the series is complemented to perfection by an attractive cover cap.

All product benefits at a glance

- Extremely easy-running action
- Permits the use of cornices, pelmets and attached lights
- Suitable for handle-free fronts
- Integrated adjustable damped closing action guarantees gentle closing
- Three-dimensional flap adjustment possible (height, side, tilt). Direct adjustment ± 1.5 mm
- Fast, toolless flap mounting
- Maintenance-free
- Designed for different fronts and a wide variety of applications
- Variable opening angle guarantees reliable flap retention in any position from 45° upwards
- Modern cover cap design
- Corrosion -resistant thanks to galvanised finish
- Spring-assisted opening function
- Fitting with premounted screws for fixing to the cabinet side
- Flap spectrum: Width: 450 mm - 1200 mm, height: 420 mm - 750 mm
- High stability

Drilling jigs for Kinvaro S-35 on request.

Application range

Flap weight from 1.5 kg to 17.5 kg

Flap size: width 450 mm - 1200 mm, height 420 mm - 750 mm

Kinvaro S-35 application range for fronts with bar handles

Flap height	Flap weight incl. handle ^o in kg				
	Fitting Type 1	Fitting Type 2	Fitting Type 3	Fitting Type 4	Fitting Type 5
420 – 449	1.5 – 7.5	5.0 – 11.0 ⁽¹⁾	-	-	-
450 – 479	1.8 – 7.5	5.0 – 12.0 ⁽¹⁾	-	-	-
480 – 509	1.8 – 6.5	5.0 – 12.5 ⁽¹⁾	-	-	-
510 – 539	2.0 – 6.0	5.0 – 13.0 ⁽¹⁾	-	-	-
540 – 569	2.0 – 6.0	5.0 – 12.5	6.0 – 14.0 ⁽¹⁾	-	-
570 – 599	2.0 – 6.0	5.0 – 11.0	5.5 – 12.0	11.5 – 14.5 ⁽¹⁾	-
600 – 629	2.0 – 5.5	4.5 – 10.0	5.5 – 11.5	10.5 – 15.5 ⁽¹⁾	-
630 – 659	2.0 – 5.5	-	4.5 – 11.0	8.5 – 16.0*	-
660 – 689	2.0 – 5.0	-	4.0 – 10.0	7.5 – 15.0	12.0 – 16.5 ⁽¹⁾
690 – 719	2.0 – 5.0	-	4.0 – 8.5	6.5 – 13,5	12.0 – 17.5 ⁽¹⁾
720 – 750	-	-	4.0 – 8.0	6.5 – 12.5	10.0 – 17.0

Kinvaro S-35 application range for handle-free fronts

Flap height	Flap weight in kg				
	Fitting Type 1	Fitting Type 2	Fitting Type 3	Fitting Type 4	Fitting Type 5
420 – 449	1.5 – 7.5	5.0 – 10.0 ⁽¹⁾	-	-	-
450 – 479	1.8 – 7.0	5.0 – 11.0 ⁽¹⁾	-	-	-
480 – 509	1.8 – 6.0	5.0 – 11.5 ⁽¹⁾	-	-	-
510 – 539	2.0 – 6.0	5.0 – 12.0 ⁽¹⁾	-	-	-
540 – 569	2.0 – 6.0	5.0 – 13.0	-	-	-
570 – 599	2.0 – 6.0	5.0 – 11.5	6.0 – 13.5	11.5 – 13.5 ⁽¹⁾	-
600 – 629	2.0 – 5.5	4.5 – 10.5	5.5 – 12.0	10.5 – 14.0 ⁽¹⁾	-
630 – 659	2.0 – 5.5	-	4.5 – 11.5	8.5 – 15.0 ⁽¹⁾	-
660 – 689	2.0 – 5.0	-	4.0 – 10.5	7.5 – 15.5	-
690 – 719	2.0 – 5.0	-	4.0 – 9.0	7.5 – 14.0	12.0 – 16.5 ⁽¹⁾
720 – 749	-	-	4.0 – 8.5	7.5 – 13.5	12.0 – 17.0 ⁽¹⁾
750 – 779	-	-	-	6.5 – 13.0	11.0 – 17.5
780 – 810	-	-	-	6.5 – 12.5	10.0 – 16.5

⁽¹⁾ This value corresponds to the maximum flap weight with a 1200 mm cabinet width and bar handle in 22 mm thick MDF material (0.85 kg/dm³).

Calculation of flap weight (all measurements in dm)

Flap width x flap height x flap thickness x density⁽²⁾ + handle weight⁽³⁾ = flap weight

Example: 6 dm x 4 dm x 0.19 dm x 0.85 + 0.9 kg/dm³ = 4.8 kg

Calculation of Flap width (all measurements in dm)

$$\frac{\text{Flap weight} - \text{handle weight}^{(3)}}{\text{Flap height} \times \text{flap thickness} \times \text{density}^{(2)}} = \text{flap width} \quad \text{Example: } \frac{4.8 - 0.9}{4 \times 0.19 \times 0.85} = 6.0 \text{ dm (600 mm)}$$

⁽²⁾ Density: pine/spruce = 0.45 kg/dm³, chipboard = 0.65 kg/dm³, MDF = 0.85 kg/dm³

⁽³⁾ Bar handles must be calculated with 0.1 kg per 100 mm handle width when calculating the flap weight. Other weights are possible. When using higher weights, please consult the manufacturer. We recommend performing a trial mounting before series application.

All dimensions in millimetres.

Kinvaro S-35

Lift-up flap fitting.

Ordering information for set packaging

The Kinvaro S-35 is available in industrial or set packaging.

Flap fitting Kinvaro S-35 set packaging

	Fitting Type	Cabinet width	Item No.
Kinvaro S-35 left / right	Type 1	450 – 1200	D2356001125
Kinvaro S-35 left / right	Type 2	450 – 1200	D2356002125
Kinvaro S-35 left / right	Type 3	450 – 1200	D2356003125
Kinvaro S-35 left / right	Type 4	450 – 1200	D2356004125
Kinvaro S-35 left / right	Type 5	450 – 1200	D2356005125
PU/packaging unit			PU 1

PU 1 = 1 set per carton consisting of: 1 fitting right and left with pre-mounted screws for fixing to cabinet side, 1 cover cap right and left in grey RAL 7040, 1 cross member 1090 mm for cutting to size, 2 sliding sleeves, 2 mounting plates for wooden front and front with wide aluminium frame or for mounting on aluminium frame adapter for narrow aluminium frame (19 mm), 1 mounting instruction

Aluminium frame adapter Kinvaro S-35 set packaging

	Item No.
Aluminium frame adapter for narrow aluminium frames (19 mm) / overlay 13 - 17 mm	D2359045000
PU/packaging unit	PU 1

PU 1 = 1 set consisting of: 2 aluminium frame adapters, 16 fixing screws, 1 mounting instruction

Ordering information for industrial packaging

The Kinvaro S-35 is available in industrial or set packaging.

Flap fitting Kinvaro S-35 industrial packaging

	Fitting Type	Item No.
Kinvaro S-35 left	Typ 1	D2357001125
Kinvaro S-35 right	Typ 1	D2357002125
Kinvaro S-35 left	Typ 2	D2357003125
Kinvaro S-35 right	Typ 2	D2357004125
Kinvaro S-35 left	Typ 3	D2357005125
Kinvaro S-35 right	Typ 3	D2357006125
Kinvaro S-35 left	Typ 4	D2357007125
Kinvaro S-35 right	Typ 4	D2357008125
Kinvaro S-35 left	Typ 5	D2357009125
Kinvaro S-35 right	Typ 5	D2357010125
PU/packaging unit		PU 1

PU 1 = 1 carton with 10 fittings right or left with pre-mounted screws for fixing to cabinet side, 10 sliding sleeves, 1 mounting instruction, 10 adjusting instructions

Cover caps Kinvaro S-35 industrial packaging

	Colour	Item No.
Kinvaro S-35 cover cap left	grey RAL 7040	D2359002907
Kinvaro S-35 cover cap right	grey RAL 7040	D2359003907
Kinvaro S-35 cover cap left	white	D2359002962
Kinvaro S-35 cover cap right	white	D2359003962
Kinvaro S-35 cover cap left	aluminium coloured RAL 9006	D2359002997
Kinvaro S-35 cover cap right	aluminium coloured RAL 9006	D2359003997
PU/packaging unit		PU 10

PU 10 = 1 carton with 10 cover caps right or left

Ordering information for industrial packaging

Cross member S-35 industrial packaging

	Cabinet width	Item No.
Kinvaro S-35 cross member	1200	D2359008516
Kinvaro S-35 cross member	1000	D2359009516
Kinvaro S-35 cross member	900	D2359010516
Kinvaro S-35 cross member	800	D2359011516
Kinvaro S-35 cross member	700	D2359012516
Kinvaro S-35 cross member	600	D2359013516
Kinvaro S-35 cross member	500	D2359014516
Kinvaro S-35 cross member	450	D2359019516
PU/packaging unit		PU 10

PU 10 = 1 bundle of 10 cross members

Mounting plate with aluminium frame adapter for narrow aluminium frames (19 mm), overlay 13 mm - 17 mm for Kinvaro S-35 industrial packaging

	Item No.	Item No.
Kinvaro S-35 mounting plate and adapter for aluminium frames right/left	D2359040000	D2359042000
PU/packaging unit	PU 20	PU 80

PU 20 = 20 mounting plates with aluminium frame adapter incl. 80 fixing screws

PU 80 = 80 mounting plates with aluminium frame adapter incl. 320 fixing screws

Mounting plate for wooden front and front with wide aluminium frame for Kinvaro S-35 industrial packaging

	Item No.	Item No.
Kinvaro S-35 mounting plate for wood right/left	D2359038000	D2359039000
PU/packaging unit	PU 20	PU 200

PU 20 = 1 carton with 20 mounting plates

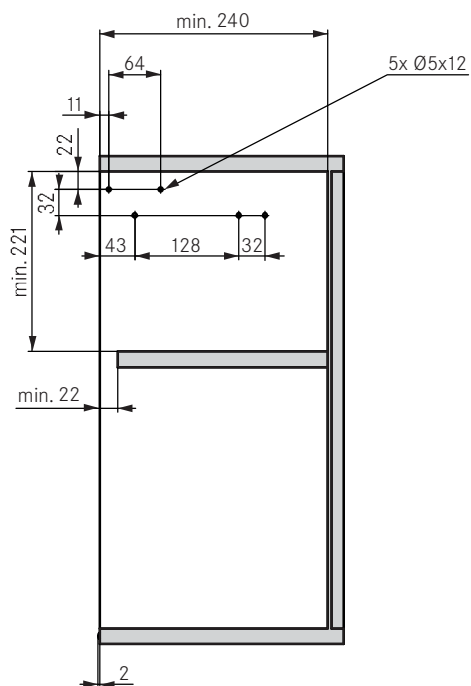
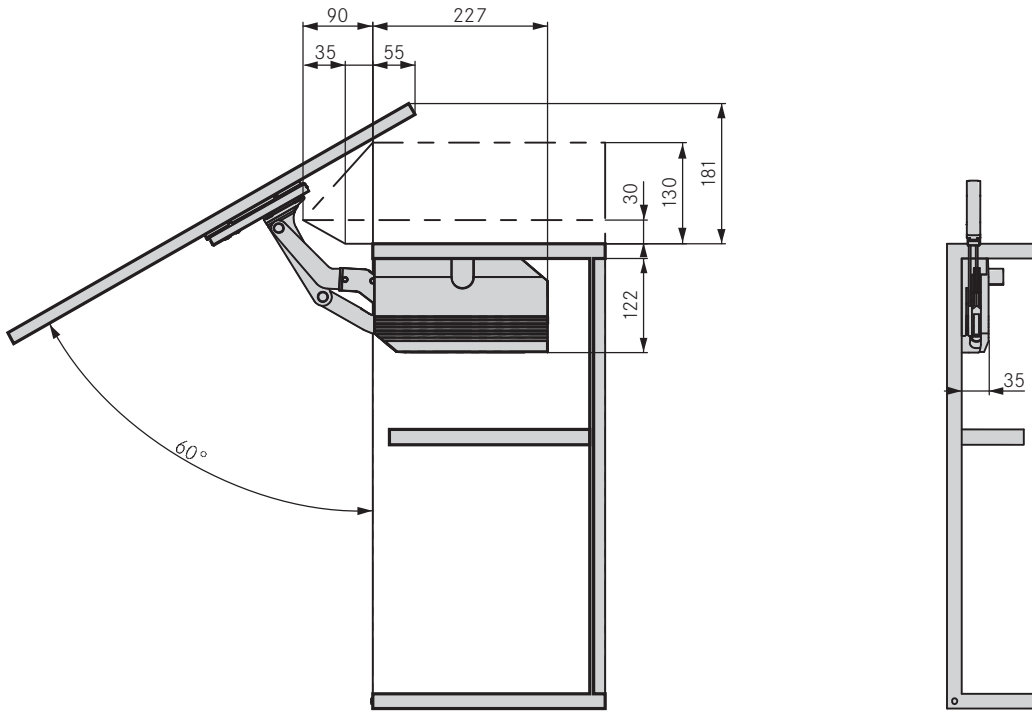
PU 200 = 1 carton mit 200 mounting plates

Kinvaro S-35

Lift-up flap fitting.

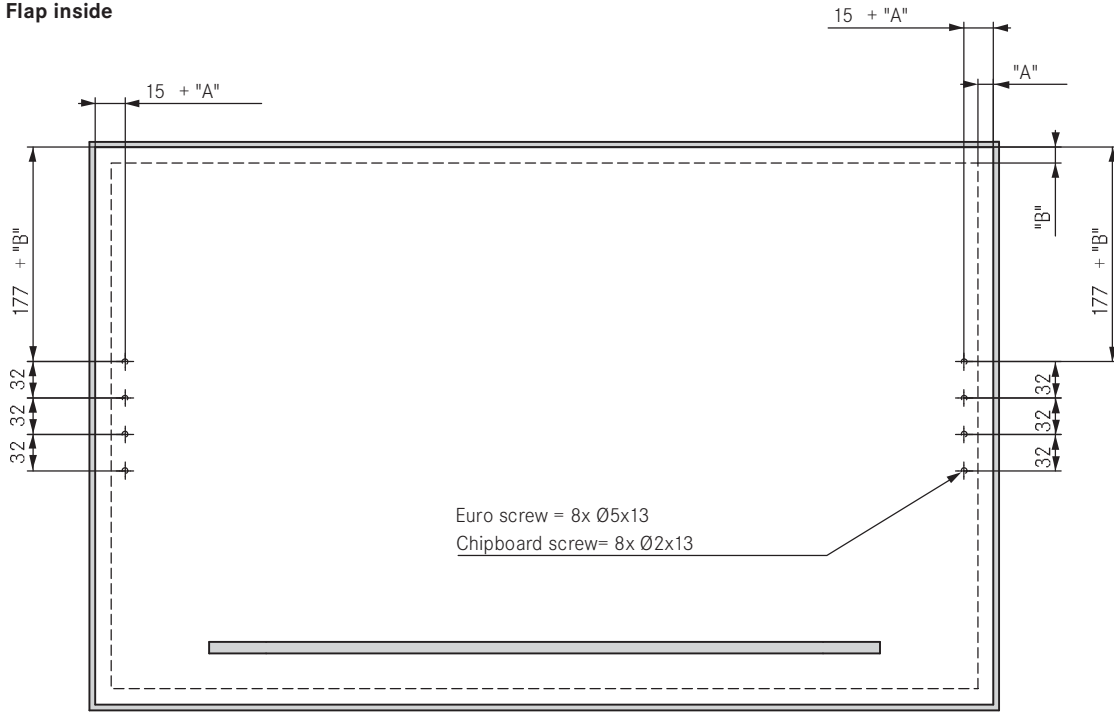
Mounting positions

Left-hand cabinet side. (Right-hand cabinet side mirror-inverted)



Mounting for wooden and frame flaps (min. 45 mm width)

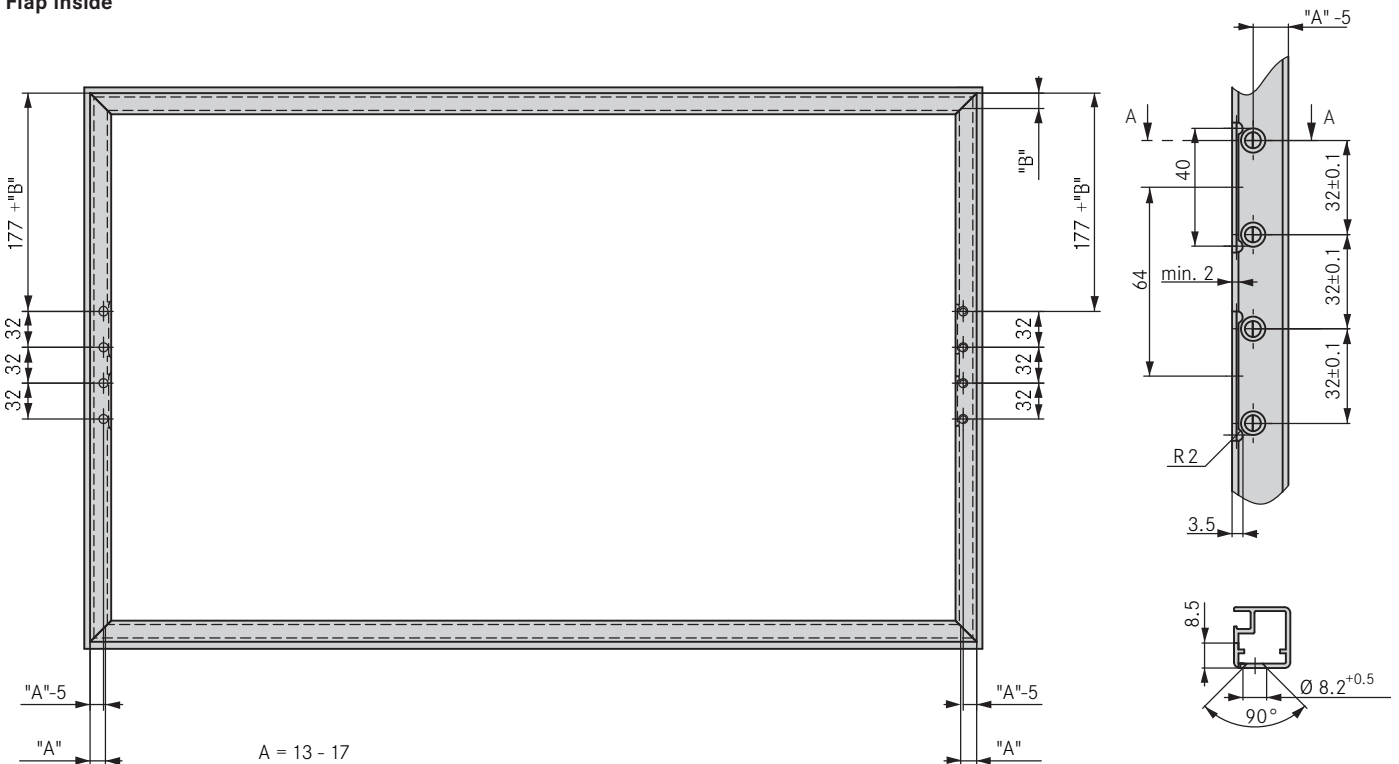
Flap inside



A = 13 - 17

Mounting for flaps with standard aluminium frame profile (19 mm)

Flap inside



All dimensions in millimetres.

Kinvaro T-65 / Kinvaro T-70 / Kinvaro T-75

The best of modern design with intelligent, silent technology.



All product benefits at a glance

- Integrated, adjustable damped closing action permits quiet, gentle closing
- Wide application spectrum due to the wide spring force adjustment range – from small, lightweight flaps in natural wood to heavy versions in MDF or glass
- Special opening comfort due to spring power-assisted opening function
- No concealed hinges required in top panel
- Variable opening angle: holds the flap securely at any opening position from 45° to 100°/110°
- Corrosion protection through galvanised finish
- Version for glass doors with metal frame, available for different profiles and door overlays
- Allows additional cabinet installation above
- With narrow fixing bracket for frame doors (with 12 mm overlay for frame widths 39 mm - 50 mm; 17 mm overlay for frame widths 44 mm - 55 mm)
- Kinvaro T-70 / Kinvaro T-75 : with direct height adjustment on the flap side

Drilling jigs for Kinvaro T-65, T-70 and T-75 on request.

Controlled power - modern design combined with impressive technology.

Integrated damping puts an end to loud closing noises once and for all. The damping mechanism permits gentle, almost silent closing of wall-mounted cabinets, even with large and heavy flaps. Even excessive closing forces can be reliably compensated. The Kinvaro T-65 fitting extends the wide application range of the Grass flap fitting family to include small, lightweight flaps. The really impressive aspect of the Kinvaro T-65, T-70 and T-75 flap fittings is not just their innovative func-

tional capability. The standardised look allows them to blend in seamlessly with the aesthetic styling of contemporary kitchen and functional furniture.

The flap fittings are also capable of holding flaps effortlessly and reliably at any opening position between 45° and 100° or 110°. The spring-assisted opening function ensures of additional operating convenience.

Kinvaro T-65



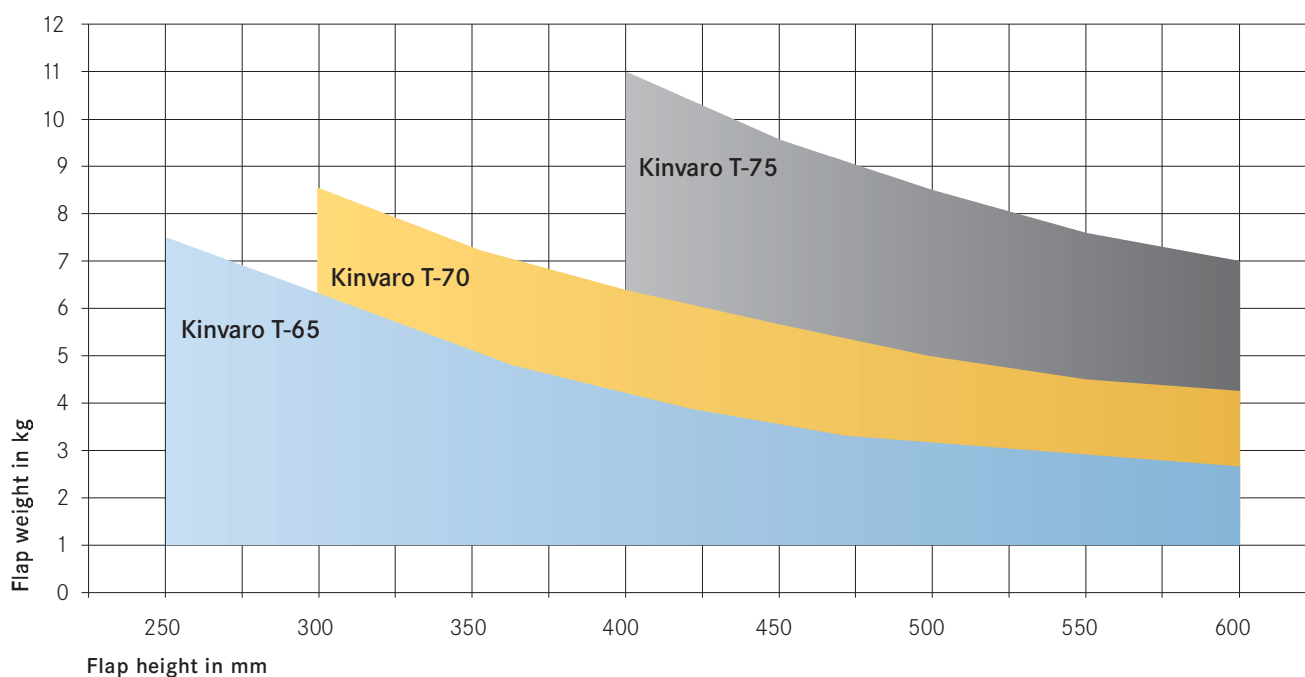
Kinvaro T-70



Kinvaro T-75



Application diagram for Kinvaro T-65 , Kinvaro T-70 , Kinvaro T-75



Kinvaro T-65, Kinvaro T-70, Kinvaro T-75

Flap fittings.

Application range

Flap weight from 0.7 kg to 11.0 kg

Flap size: width up to 1200 mm, height 250 mm - 600 mm

Application range for Kinvaro T-65, Kinvaro T-70, Kinvaro T-75

Flap height	Flap weight incl. handle° in kg					
	Kinvaro T-65 spring on one side	Kinvaro T-65 spring on both sides	Kinvaro T-65 spring on both sides	Kinvaro T-70 spring on both sides	Kinvaro T-70 spring on both sides	Kinvaro T-75 spring on both sides
	yellow	yellow	black	white	orange	standard
250	0.9 - 2.1	1.8 - 4.2	2.4 - 7.4	-	-	-
300	0.7 - 1.7	1.4 - 3.4	2.0 - 6.3	2.1 - 7.4	2.5 - 8.5	-
350	-	1.0 - 2.9	1.7 - 5.4	1.8 - 6.3	2.3 - 7.5	-
400	-	0.8 - 2.5	1.5 - 4.7	1.7 - 5.4	2.1 - 6.8	7.0 - 11.0
450	-	0.7 - 2.2	1.3 - 4.2	1.6 - 4.7	2.0 - 5.8	6.7 - 9.6
500	-	0.6 - 2.0	1.3 - 3.9	1.5 - 4.0	1.8 - 5.0	5.8 - 8.5
550	-	-	1.3 - 3.4	1.4 - 3.7	1.6 - 4.6	5.6 - 7.6
600	-	-	1.3 - 3.1	1.4 - 3.3	1.4 - 4.2	5.2 - 7.0

Calculation of flap weight (all measurements in dm)

Flap width x flap height x flap thickness x density⁽²⁾ + handle weight⁽³⁾ = flap weight

Example: 6 dm x 4 dm x 0.19 dm x 0.85 + 0.9 kg/dm³ = 4.8 kg

Calculation of Flap width (all measurements in dm)

$$\frac{\text{Flap weight} - \text{handle weight}^{(3)}}{\text{Flap height} \times \text{flap thickness} \times \text{density}^{(2)}} = \text{flap width} \quad \text{Example: } \frac{4.8 - 0.9}{4 \times 0.19 \times 0.85} = 6.0 \text{ dm (600 mm)}$$

⁽²⁾ Density: pine/spruce = 0.45 kg/dm³, chipboard = 0.65 kg/dm³, MDF = 0.85 kg/dm³

⁽³⁾ Bar handles must be calculated with 0.1 kg per 100 mm handle width when calculating the flap weight. Other weights are possible. When using higher weights, please consult the manufacturer. We recommend performing a trial mounting before series application.

Flap fitting.

Ordering information for set packaging

The Kinvaro T-65 is available in industrial or set packaging.

Flap fitting Kinvaro T-65 set packaging

	Designation	Overlay	Spring	Cover cap	Item No.
Kinvaro T-65	wood	variable	<div style="display: inline-block; width: 10px; height: 10px; background-color: black; margin-right: 5px;"></div> black, mounted on both sides <div style="display: inline-block; width: 10px; height: 10px; background-color: yellow; margin-right: 5px;"></div> yellow, included	grey RAL 7040	D267.200.23.25
Kinvaro T-65	narrow aluminium frame	13 mm	<div style="display: inline-block; width: 10px; height: 10px; background-color: black; margin-right: 5px;"></div> black, mounted on both sides <div style="display: inline-block; width: 10px; height: 10px; background-color: yellow; margin-right: 5px;"></div> yellow, included	grey RAL 7040	D267.252.33.25
Kinvaro T-65	narrow aluminium frame	14 mm	<div style="display: inline-block; width: 10px; height: 10px; background-color: black; margin-right: 5px;"></div> black, mounted on both sides <div style="display: inline-block; width: 10px; height: 10px; background-color: yellow; margin-right: 5px;"></div> yellow, included	grey RAL 7040	D267.252.23.25
Kinvaro T-65	narrow aluminium frame	16 mm	<div style="display: inline-block; width: 10px; height: 10px; background-color: black; margin-right: 5px;"></div> black, mounted on both sides <div style="display: inline-block; width: 10px; height: 10px; background-color: yellow; margin-right: 5px;"></div> yellow, included	grey RAL 7040	D267.251.43.25
Kinvaro T-65	narrow aluminium frame	17 mm	<div style="display: inline-block; width: 10px; height: 10px; background-color: black; margin-right: 5px;"></div> black, mounted on both sides <div style="display: inline-block; width: 10px; height: 10px; background-color: yellow; margin-right: 5px;"></div> yellow, included	grey RAL 7040	D267.251.83.25
PU/packaging unit					PU 1

PU 1 = 1 set per carton consisting of 1 fitting right and left with black spring, 1 cover cap right and left, 2 yellow springs, 1 mounting instruction, 1 adjustment instruction

Other overlays on request.

Ordering information for industrial packaging

Flap fitting Kinvaro T-65 industrial packaging

	Designation	Overlay	Spring	Item No.
Kinvaro T-65	wood	variable	<div style="display: inline-block; width: 10px; height: 10px; background-color: yellow; margin-right: 5px;"></div> yellow, mounted on one side	D267.200.83.25
Kinvaro T-65	wood	variable	<div style="display: inline-block; width: 10px; height: 10px; background-color: yellow; margin-right: 5px;"></div> yellow, mounted on both sides	D267.200.53.25
Kinvaro T-65	wood	variable	<div style="display: inline-block; width: 10px; height: 10px; background-color: black; margin-right: 5px;"></div> black, mounted on both sides	D267.200.43.25
Kinvaro T-65	narrow aluminium frame	13 mm	<div style="display: inline-block; width: 10px; height: 10px; background-color: yellow; margin-right: 5px;"></div> yellow, mounted on one side	D267.252.43.25
Kinvaro T-65	narrow aluminium frame	13 mm	<div style="display: inline-block; width: 10px; height: 10px; background-color: yellow; margin-right: 5px;"></div> yellow, mounted on both sides	D267.250.33.25
Kinvaro T-65	narrow aluminium frame	13 mm	<div style="display: inline-block; width: 10px; height: 10px; background-color: black; margin-right: 5px;"></div> black, mounted on both sides	D267.250.53.25
Kinvaro T-65	narrow aluminium frame	14 mm	<div style="display: inline-block; width: 10px; height: 10px; background-color: yellow; margin-right: 5px;"></div> yellow, mounted on one side	D267.252.53.25
Kinvaro T-65	narrow aluminium frame	14 mm	<div style="display: inline-block; width: 10px; height: 10px; background-color: yellow; margin-right: 5px;"></div> yellow, mounted on both sides	D267.250.43.25
Kinvaro T-65	narrow aluminium frame	14 mm	<div style="display: inline-block; width: 10px; height: 10px; background-color: black; margin-right: 5px;"></div> black, mounted on both sides	D267.250.63.25
Kinvaro T-65	narrow aluminium frame	16 mm	<div style="display: inline-block; width: 10px; height: 10px; background-color: yellow; margin-right: 5px;"></div> yellow, mounted on one side	D267.252.63.25
Kinvaro T-65	narrow aluminium frame	16 mm	<div style="display: inline-block; width: 10px; height: 10px; background-color: yellow; margin-right: 5px;"></div> yellow, mounted on both sides	D267.251.73.25
Kinvaro T-65	narrow aluminium frame	16 mm	<div style="display: inline-block; width: 10px; height: 10px; background-color: black; margin-right: 5px;"></div> black, mounted on both sides	D267.251.33.25
Kinvaro T-65	narrow aluminium frame	17 mm	<div style="display: inline-block; width: 10px; height: 10px; background-color: yellow; margin-right: 5px;"></div> yellow, mounted on one side	D267.252.73.25
Kinvaro T-65	narrow aluminium frame	17 mm	<div style="display: inline-block; width: 10px; height: 10px; background-color: yellow; margin-right: 5px;"></div> yellow, mounted on both sides	D267.252.03.25
Kinvaro T-65	narrow aluminium frame	17 mm	<div style="display: inline-block; width: 10px; height: 10px; background-color: black; margin-right: 5px;"></div> black, mounted on both sides	D267.251.23.25
PU/packaging unit				PU 10

PU 10 = 1 carton with 10 fittings right and left, 1 mounting instruction, 10 adjustment instructions

Other overlays on request.

Cover caps Kinvaro T-65 industrial packaging

	Colour	Item No.
Kinvaro T-65 cover caps right and left	grey RAL 7040	D267.900.19.07
Kinvaro T-65 cover caps right and left	white	D267.900.19.62
Kinvaro T-65 cover caps right and left	aluminium coloured RAL 9006	D267.900.19.97
PU/packaging unit		PU 10

PU 10 = 1 carton with 10 cover caps right and left

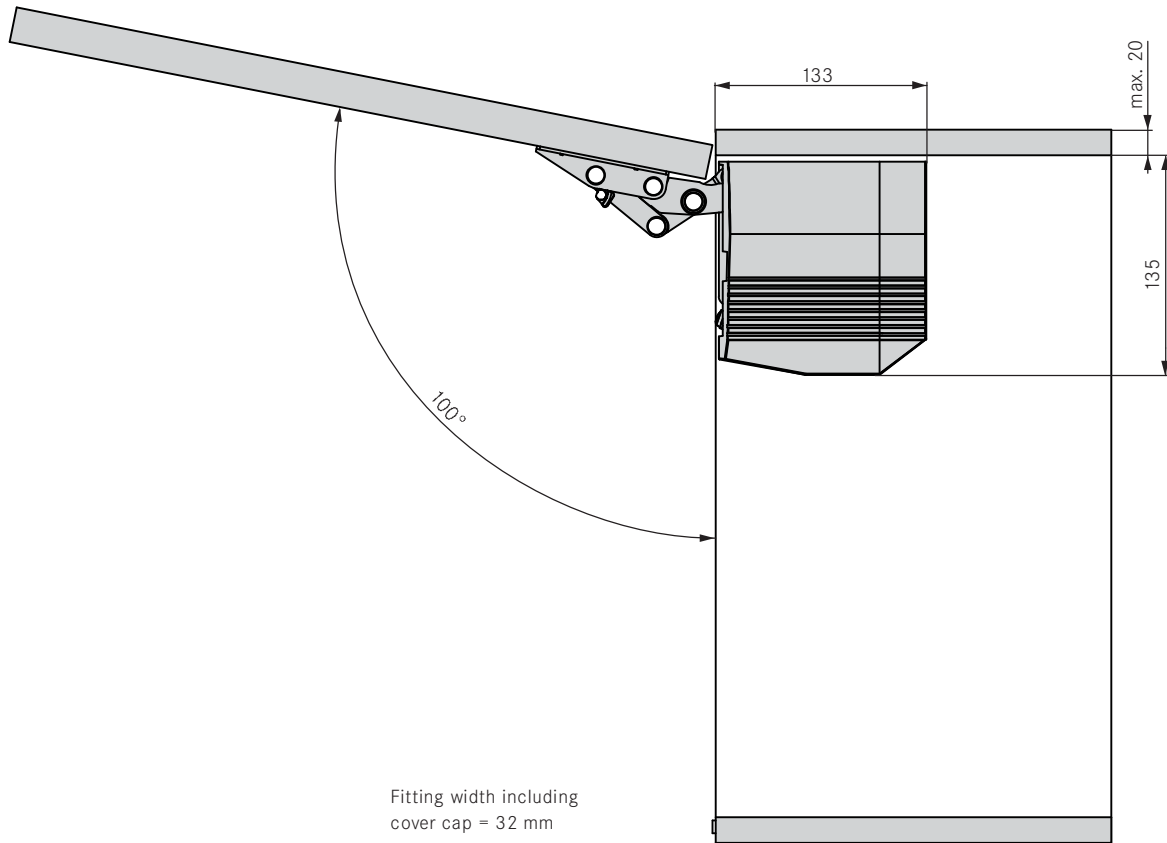
Other colours on request.

All dimensions in millimetres.

Kinvaro T-65

Flap fittings.

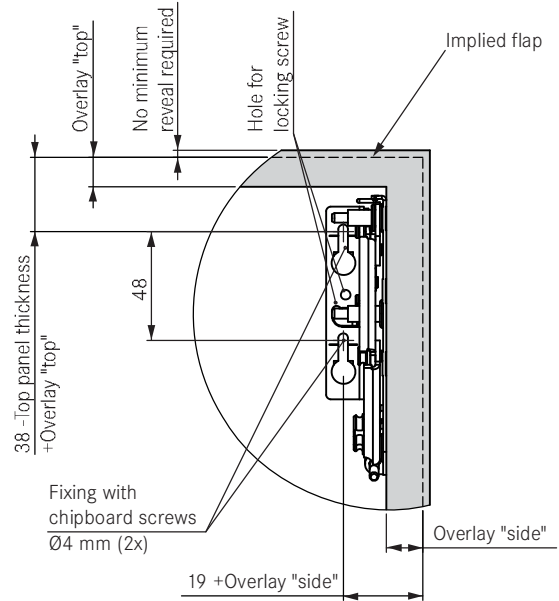
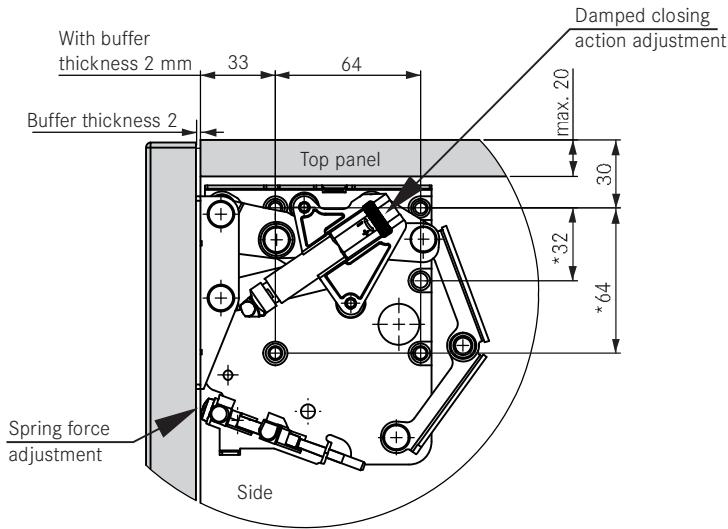
Installation measurements for Kinvaro T-65



Mounting positions for wooden flaps

Cabinet side (mounting with countersunk Euro screws)

Wooden flap

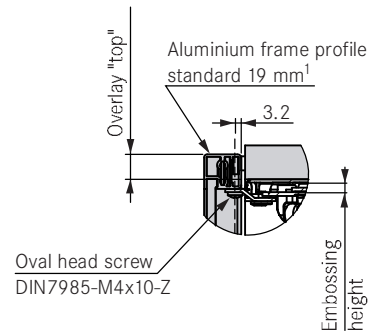
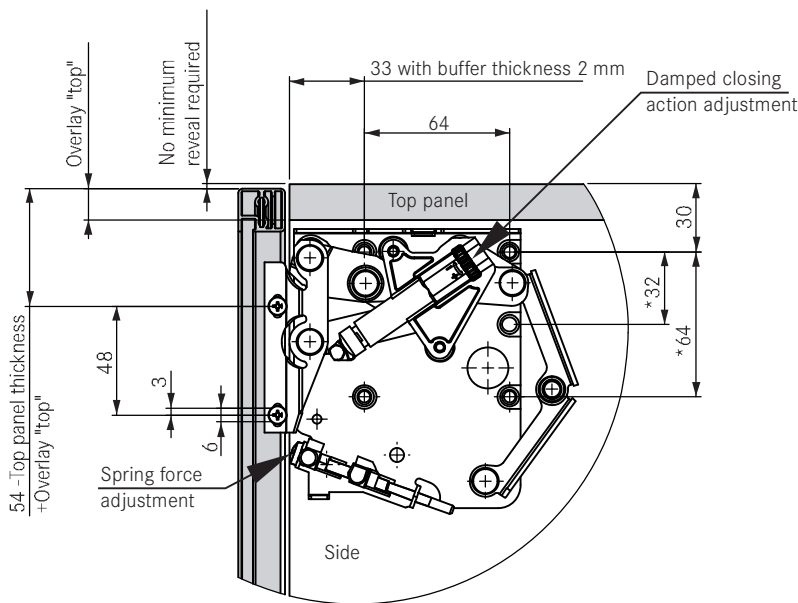


*Can also be used for fixing the fitting as desired

Mounting positions for flaps with aluminium frame 19 mm

Cabinet side (mounting with countersunk Euro screws)

¹When using with other aluminium profiles, please enquire.



*Can also be used for fixing the fitting as desired

All dimensions in millimetres.

- Kinvaro flap systems
- Quaturis corner cabinet systems
- Cabinet suspension fittings
- Single-joint hinges
- Parallel lift fittings
- Shelf supports
- Index

Kinvaro T-70

Flap fitting.

Ordering information for set packaging

The Kinvaro T-70 is available in industrial or set packaging.

Flap fitting Kinvaro T-70 individual packaging

	Designation	Overlay	Spring	Cover cap	Item No.
Kinvaro T-70	wood	variable	<input type="checkbox"/> white, mounted <input checked="" type="checkbox"/> orange included	grey RAL 7040	D271.200.33.25
Kinvaro T-70	narrow aluminium frame	13 mm	<input type="checkbox"/> white, mounted <input checked="" type="checkbox"/> orange included	grey RAL 7040	D271.253.03.25
Kinvaro T-70	narrow aluminium frame	14 mm	<input type="checkbox"/> white, mounted <input checked="" type="checkbox"/> orange included	grey RAL 7040	D271.252.93.25
Kinvaro T-70	narrow aluminium frame	16 mm	<input type="checkbox"/> white, mounted <input checked="" type="checkbox"/> orange included	grey RAL 7040	D271.252.13.25
Kinvaro T-70	narrow aluminium frame	17 mm	<input type="checkbox"/> white, mounted <input checked="" type="checkbox"/> orange included	grey RAL 7040	D271.252.53.25
PU/packaging unit					PU 1

PU 1 = 1 set per carton consisting of 1 fitting right and left, 1 cover cap right and left, 2 orange springs, 1 mounting instruction

Other overlays on request.

Ordering information for industrial packaging

Flap fitting Kinvaro T-70 industrial packaging

	Designation	Overlay	Spring	Item No.
Kinvaro T-70	wood	variable	<input type="checkbox"/> white, mounted on both sides	D271.200.53.25
Kinvaro T-70	wood	variable	<input checked="" type="checkbox"/> orange, mounted on both sides	D271.200.63.25
Kinvaro T-70	narrow aluminium frame	13 mm	<input type="checkbox"/> white, mounted on both sides	D271.252.23.25
Kinvaro T-70	narrow aluminium frame	13 mm	<input checked="" type="checkbox"/> orange, mounted on both sides	D271.251.93.25
Kinvaro T-70	narrow aluminium frame	14 mm	<input type="checkbox"/> white, mounted on both sides	D271.250.53.25
Kinvaro T-70	narrow aluminium frame	14 mm	<input checked="" type="checkbox"/> orange, mounted on both sides	D271.250.33.25
Kinvaro T-70	narrow aluminium frame	16 mm	<input type="checkbox"/> white, mounted on both sides	D271.251.83.25
Kinvaro T-70	narrow aluminium frame	16 mm	<input checked="" type="checkbox"/> orange, mounted on both sides	D271.251.53.25
Kinvaro T-70	narrow aluminium frame	17 mm	<input type="checkbox"/> white, mounted on both sides	D271.251.33.25
Kinvaro T-70	narrow aluminium frame	17 mm	<input checked="" type="checkbox"/> orange, mounted on both sides	D271.252.83.25
PU/packaging unit				PU 10

PU 10 = 1 carton with 10 fittings right and left, 1 mounting instruction, 10 adjusting instruction

Other overlays on request.

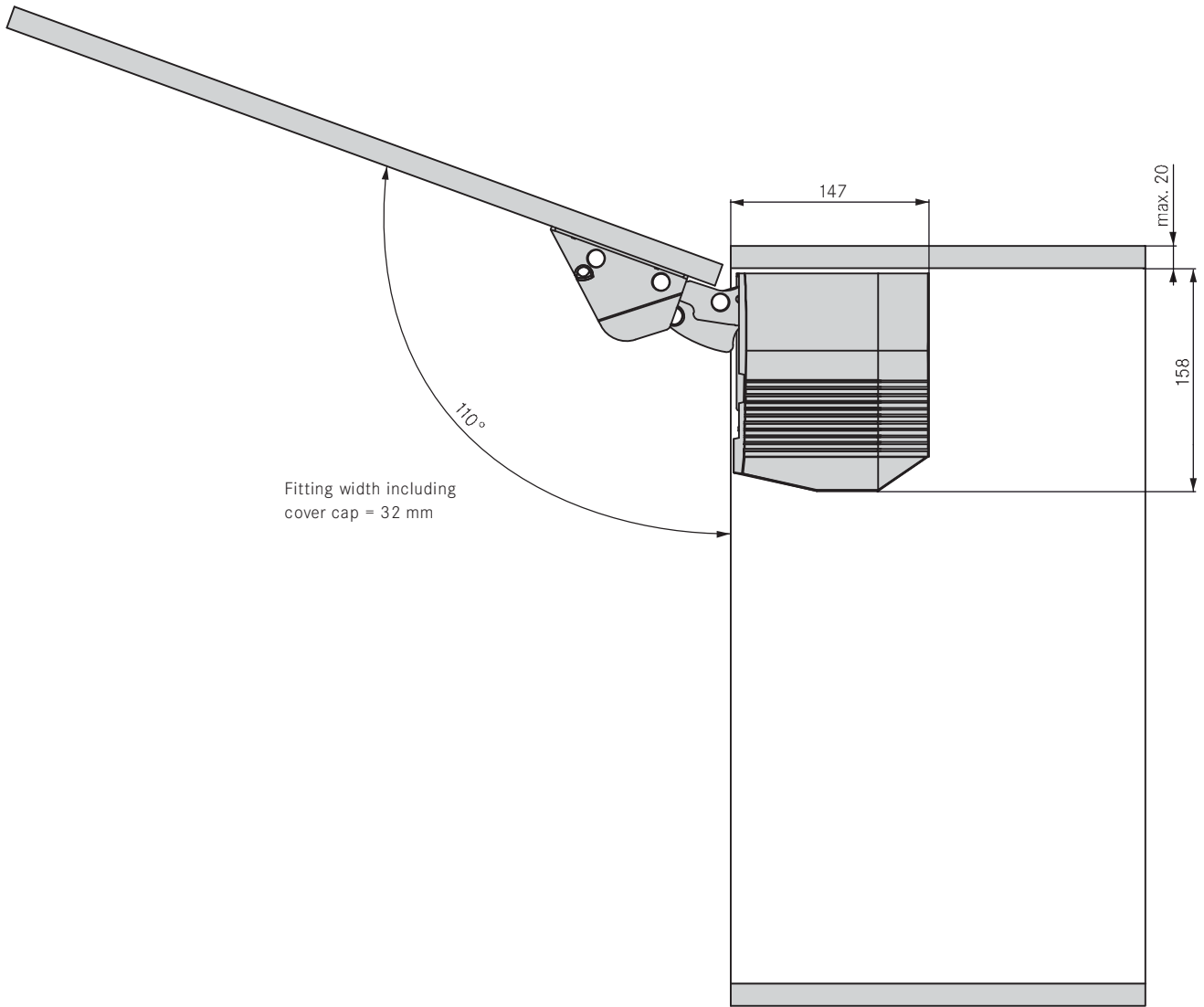
Cover caps Kinvaro T-70 industrial packaging

	Colour	Item No.
Kinvaro T-70 cover caps	grey RAL 7040	D271.900.19.07
Kinvaro T-70 cover caps	white	D271.900.19.62
Kinvaro T-70 cover caps	alu coloured RAL 9006	D271.900.19.97
PU/packaging unit		PU 10

PU 10 = 1 carton with 10 cover caps right and left

Other colours on request.

Installation measurements Kinvaro T-70



Kinvaro
flap systems

Quaturis
corner cabinet systems

Cabinet
suspension fittings

Single-joint
hinges

Parallel
lift fittings

Shelf supports

Index

All dimensions in millimetres.

Kinvaro T-75

Flap fitting.

Ordering information for set packaging

The Kinvaro T-75 is available in industrial or set packaging.

Flap fitting Kinvaro T-75 set packaging

	Designation	Overlay	Spring	Cover cap	Item No.
Kinvaro T-70	wood	variable	standard	grey RAL 7040	D276.200.33.25
Kinvaro T-75	narrow aluminium frame	13 mm	standard	grey RAL 7040	D276.251.13.25
Kinvaro T-75	narrow aluminium frame	14 mm	standard	grey RAL 7040	D276.251.33.25
Kinvaro T-75	narrow aluminium frame	16 mm	standard	grey RAL 7040	D276.251.43.25
Kinvaro T-75	narrow aluminium frame	17 mm	standard	grey RAL 7040	D276.250.83.25
PU/packaging unit					PU 1

PU 1 = 1 set per carton with 1 fitting right and left, 1 cover cap right and left, 1 mounting instruction

Other overlays on request.

Order information industrial packaging

Flap fitting Kinvaro T-75 industrial packaging

	Designation	Overlay	Spring	Item No.
Kinvaro T-70	wood	variable	standard	D276.200.53.25
Kinvaro T-75	narrow aluminium frame	13 mm	standard	D276.251.23.25
Kinvaro T-75	narrow aluminium frame	14 mm	standard	D276.250.73.25
Kinvaro T-75	narrow aluminium frame	16 mm	standard	D276.250.43.25
Kinvaro T-75	narrow aluminium frame	17 mm	standard	D276.251.53.25
PU/packaging unit				PU 10

PU 1 = 1 carton with 10 fittings right and left, 1 mounting instruction, 10 adjusting instructions

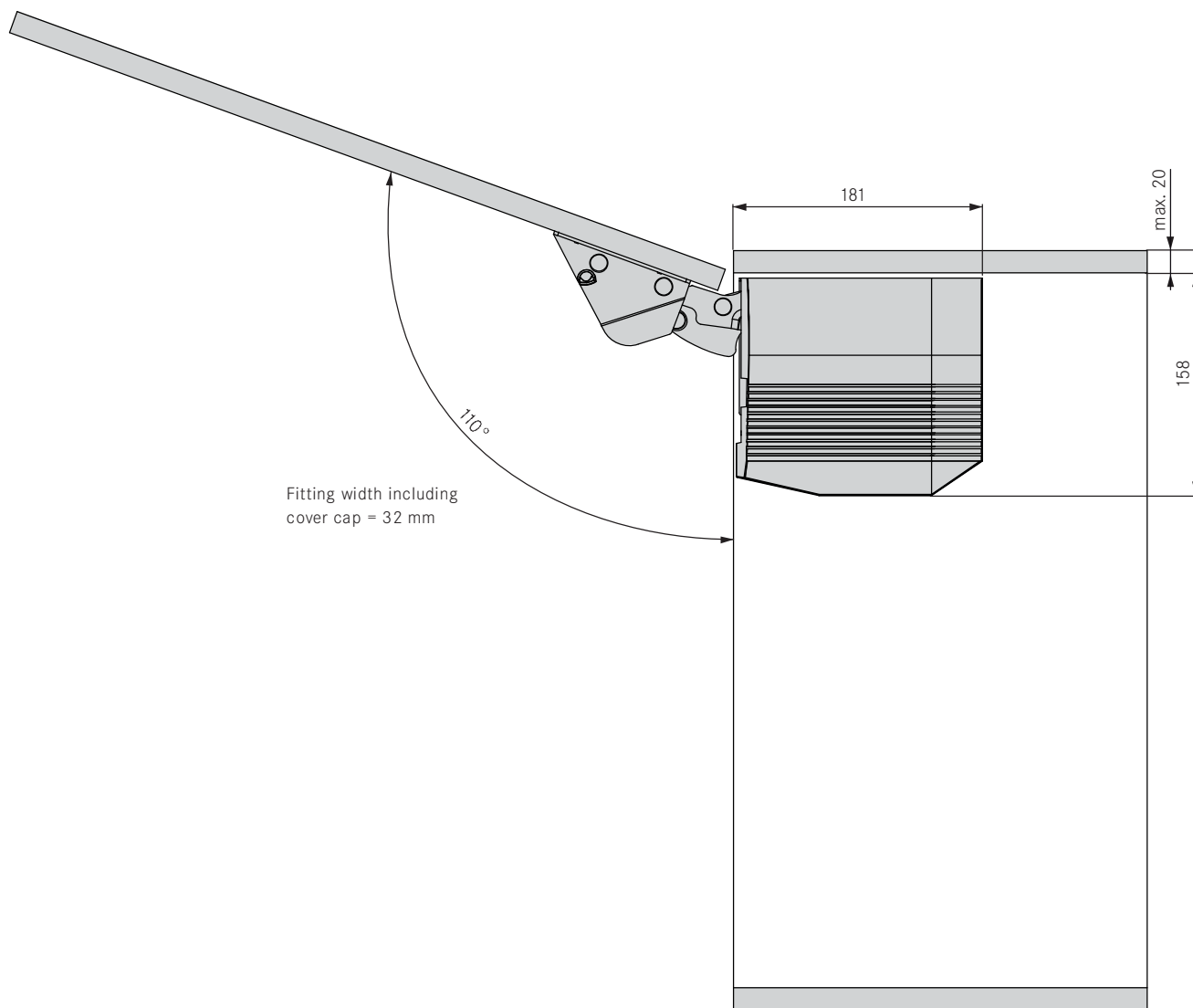
Other overlays on request.

Cover caps Kinvaro T-75 industrial packaging

	Colour	Item No.
Kinvaro T-75 cover caps	grey RAL 7040	D276.900.19.07
Kinvaro T-75 cover caps	white	D276.900.19.62
Kinvaro T-75 cover caps	aluminium coloured RAL 9006	D276.900.19.97
PU/packaging unit		PU 10

PU 10 = 1 carton with 10 cover caps right and left

Installation measurements Kinvaro T-75



Kinvaro flap systems

Quaturis corner cabinet systems

Cabinet suspension fittings

Single-joint hinges

Parallel lift fittings

Shelf supports

Index

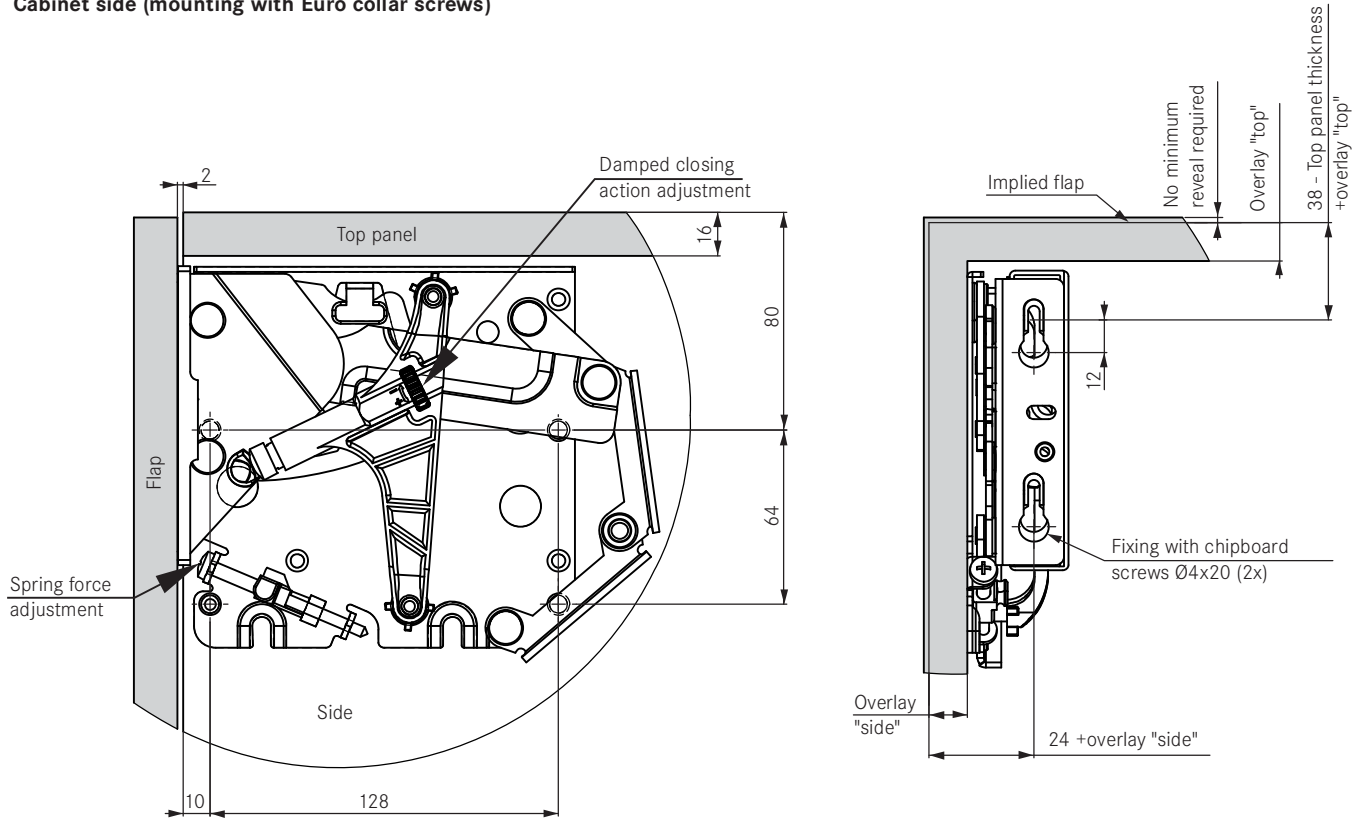
All dimensions in millimetres.

Kinvaro T-70 / Kinvaro T-75

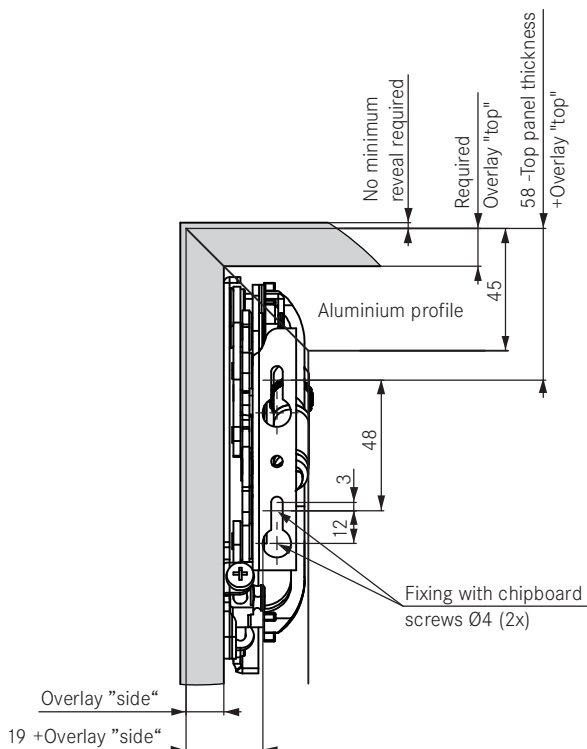
Flap fittings.

Mounting positions for wooden flaps

Cabinet side (mounting with Euro collar screws)



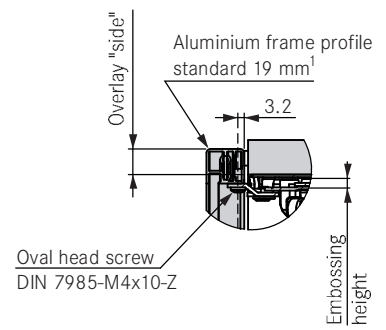
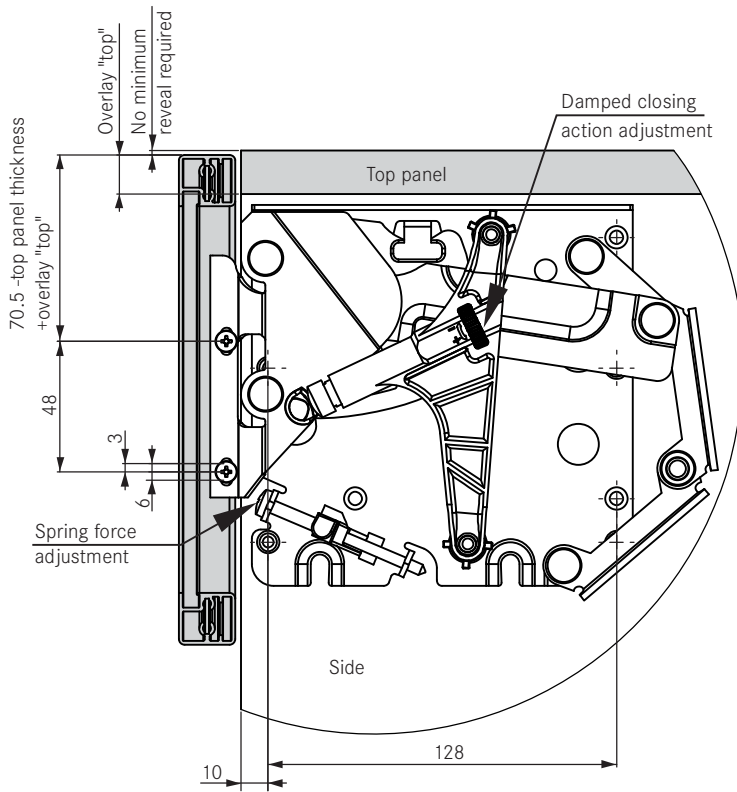
Holz- oder Alurahmenklappen (schmäler Anschraubwinkel)



Montage für Klappen mit Alurahmen von Schüco Nr. 901092 oder Nr. 901078*

Kinvaro T-70 and Kinvaro T-75
Side wall
 (mounting with Euro
 countersunk screws)

*Bei Einsatz mit anderen Aluprofilen bitte wir um Rücksprache.



Kinvaro T-57

Convertible flexibility.



Flap fitting Kinvaro T-57 is ideally equipped to cope with all situations.

The Kinvaro T-57 can be optionally used with a fixed or adjustable spring in line with the respective flap weight. The spring technology allows not only large but also very heavy flaps to be effortlessly lifted. Installation is equally simple: with keyholes on the flap side and 32 mm system holes on the side

wall. The fitting features two variable opening angles (75 degrees or 90 degrees) and is suitable both for wooden flaps and aluminium flaps with glass panels. The two-in-one solution (hinge and support function in one) means that no concealed hinges whatsoever are required in the top panel.

All product benefits at a glance

- For fitting with fixed or adjustable springs
- No concealed hinges in the top panel required
- High-grade nickel plated steel springs cover a wide spectrum of flap sizes / flap weights.
- Variable opening angle: 75° or 90°
- From approx. 17 degrees, the flap swivels upwards automatically and is held securely open.
- Allows additional cabinet installation above
- For wooden flaps and aluminium flaps with glass panels
- High-grade epoxy coated surface white or nickel plated
- Excellent running properties due to maintenance-free plastic bearing
- 32 mm hole spacing system for mounting using Euro screws
- Fixing hole for securing the mounted fitting with a chipboard screw
- With narrow screw-on bracket for frame-type doors (for frame width 39 mm - 50 mm/12 mm overlay; for frame width 44 mm - 55 mm/17 mm)
- Height adjustment of the flap possible via slots

Drilling jigs for Kinvaro T-57 on request.

Application range

Formula for determining your individual spring combination:

$$\frac{(\text{Flap height in mm} - 82) \times \text{flap weight in kg}}{3.7} + 40 = \dots\dots\dots\text{N (required spring force)}$$

Now look for the spring combination which comes closest to your result in the table below.

All fitting components can be combined as required. In borderline cases, always take the next higher spring force.

A trial mounting is always required!

Application range for 0.85 kg/dm³ (e. MDF 19 mm thickness)

Flap height	Flap width					
	with small handle			with bar handle [°]		
	min.		max.	min.		max.
300	400	to	1200	400	to	1000
350	400	to	1000	400	to	700
400	400	to	700	400	to	500
450	400	to	500	400	to	400
500	400	to	400	-		-
550	-		-	-		-
600	-		-	-		-

Application range for 0.65 kg/dm³ (e. chipboard 19 mm thickness)

Flap height	Flap width					
	with small handle			with bar handle [°]		
	min.		max.	min.		max.
300	400	to	1200	400	to	1200
350	400	to	1200	400	to	800
400	400	to	900	400	to	600
450	400	to	700	400	to	500
500	400	to	500	400	to	400
550	400	to	400	-		-
600	-		-	-		-

Application range for 0.45 kg/dm³ (e. pine 19 mm thickness)

Flap height	Flap width					
	with small handle			with bar handle [°]		
	min.		max.	min.		max.
300	400	to	1200	400	to	1200
350	400	to	1200	400	to	1100
400	400	to	1200	400	to	800
450	400	to	1000	400	to	700
500	400	to	800	400	to	500
550	400	to	600	400	to	400
600	400	to	500	400	to	400































[°] Bar handles must be calculated with 0.1 kg per 100 mm handle width when calculating the flap weight.

Kinvaro T-57

Flap fitting.

Order information industrial packaging

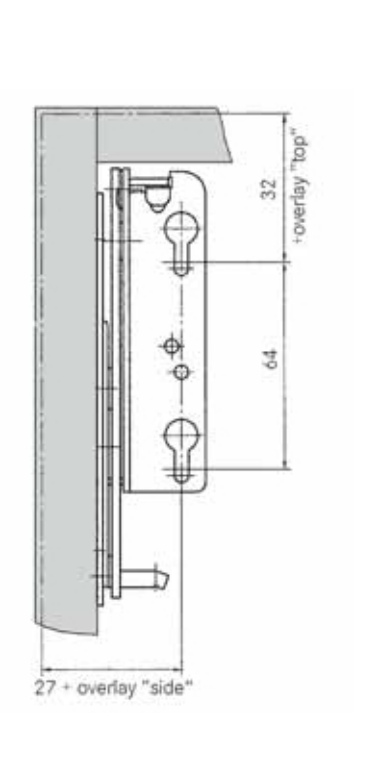
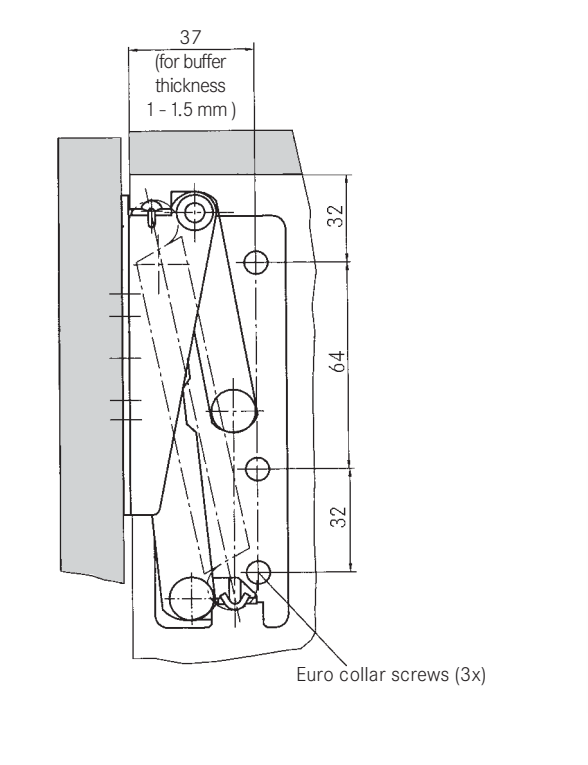
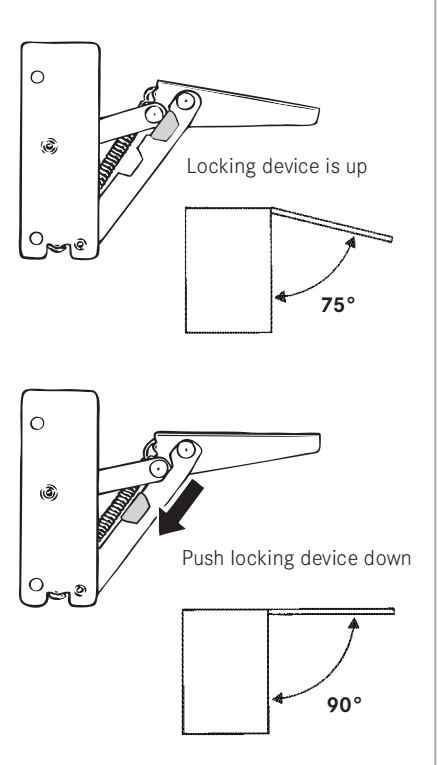
Flap fitting Kinvaro T-57 industrial packaging

Type	Designation	left/right	Overlay	Spring	Item No. white	Item No. nickel plated
Kinvaro T-57	wood	left	variable	 adjustable up to 240N	D257.500.51.62	D257.501.81.25
Kinvaro T-57	wood	right	variable	 adjustable up to 240N	D257.500.52.62	D257.501.82.25
Kinvaro T-57	wood	left	variable	 green 120N	D257.500.21.62	D257.501.61.25
Kinvaro T-57	wood	right	variable	 green 120N	D257.500.22.62	D257.501.62.25
Kinvaro T-57	wood	left	variable	 black 200N	D257.500.41.62	D257.502.71.25
Kinvaro T-57	wood	right	variable	 black 200N	D257.500.42.62	D257.502.72.25
Kinvaro T-57	wood	left	variable	without spring	D257.500.61.62	D257.500.61.25
Kinvaro T-57	wood	right	variable	without spring	-	-
Kinvaro T-57	19 mm aluminium frame	left	13 mm	 adjustable up to 240N	-	D257.550.21.25
Kinvaro T-57	19 mm aluminium frame	right	13 mm	 adjustable up to 240N	-	D257.550.22.25
Kinvaro T-57	19 mm aluminium frame	left	13 mm	 green 120N	-	D257.550.81.25
Kinvaro T-57	19 mm aluminium frame	right	13 mm	 green 120N	-	D257.550.82.25
Kinvaro T-57	19 mm aluminium frame	left	13 mm	 black 200N	-	D257.553.61.25
Kinvaro T-57	19 mm aluminium frame	right	13 mm	 black 200N	-	D257.553.62.25
Kinvaro T-57	19 mm aluminium frame	left	13 mm	without spring	-	D257.651.61.25
Kinvaro T-57	19 mm aluminium frame	right	13 mm	without spring	-	-
Kinvaro T-57	19 mm aluminium frame	left	14 mm	 adjustable up to 240N	-	D257.550.31.25
Kinvaro T-57	19 mm aluminium frame	right	14 mm	 adjustable up to 240N	-	D257.550.32.25
Kinvaro T-57	19 mm aluminium frame	left	14 mm	 green 120N	-	D257.552.21.25
Kinvaro T-57	19 mm aluminium frame	right	14 mm	 green 120N	-	D257.552.22.25
Kinvaro T-57	19 mm aluminium frame	left	14 mm	 black 200N	-	D257.553.71.25
Kinvaro T-57	19 mm aluminium frame	right	14 mm	 black 200N	-	D257.553.72.25
Kinvaro T-57	19 mm aluminium frame	left	14 mm	without spring	-	D257.653.81.25
Kinvaro T-57	19 mm aluminium frame	right	14 mm	without spring	-	-
Kinvaro T-57	19 mm aluminium frame	left	16 mm	 adjustable up to 240N	-	D257.550.51.25
Kinvaro T-57	19 mm aluminium frame	right	16 mm	 adjustable up to 240N	-	D257.550.52.25
Kinvaro T-57	19 mm aluminium frame	left	16 mm	 green 120N	-	D257.553.91.25
Kinvaro T-57	19 mm aluminium frame	right	16 mm	 green 120N	-	D257.553.92.25
Kinvaro T-57	19 mm aluminium frame	left	16 mm	 black 200N	-	D257.554.01.25
Kinvaro T-57	19 mm aluminium frame	right	16 mm	 black 200N	-	D257.554.02.25
Kinvaro T-57	19 mm aluminium frame	left	16 mm	without spring	-	D257.652.51.25
Kinvaro T-57	19 mm aluminium frame	right	16 mm	without spring	-	-
Kinvaro T-57	19 mm aluminium frame	left	17 mm	 adjustable up to 240N	-	D257.550.61.25
Kinvaro T-57	19 mm aluminium frame	right	17 mm	 adjustable up to 240N	-	D257.550.62.25
Kinvaro T-57	19 mm aluminium frame	left	17 mm	 green 120N	-	D257.553.41.25
Kinvaro T-57	19 mm aluminium frame	right	17 mm	 green 120N	-	D257.553.42.25
Kinvaro T-57	19 mm aluminium frame	left	17 mm	 black 200N	-	D257.554.11.25
Kinvaro T-57	19 mm aluminium frame	right	17 mm	 black 200N	-	D257.554.12.25
Kinvaro T-57	19 mm aluminium frame	left	17 mm	without spring	-	D257.654.21.25
Kinvaro T-57	19 mm aluminium frame	right	17 mm	without spring	-	-
PU/packaging unit				PU 100	PU 100	

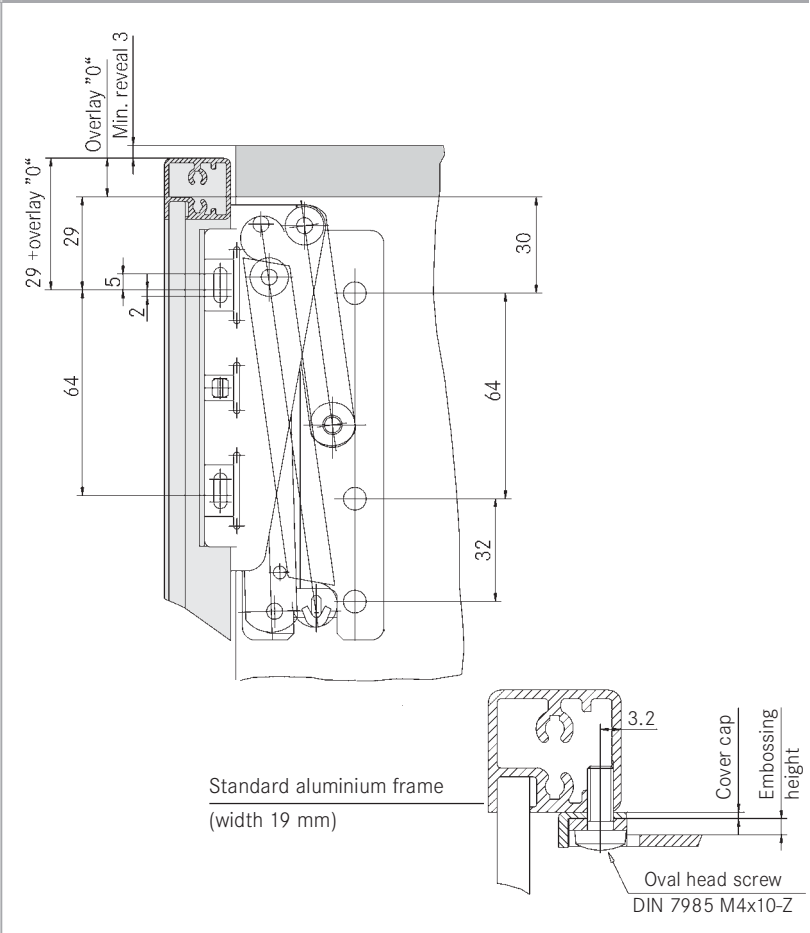
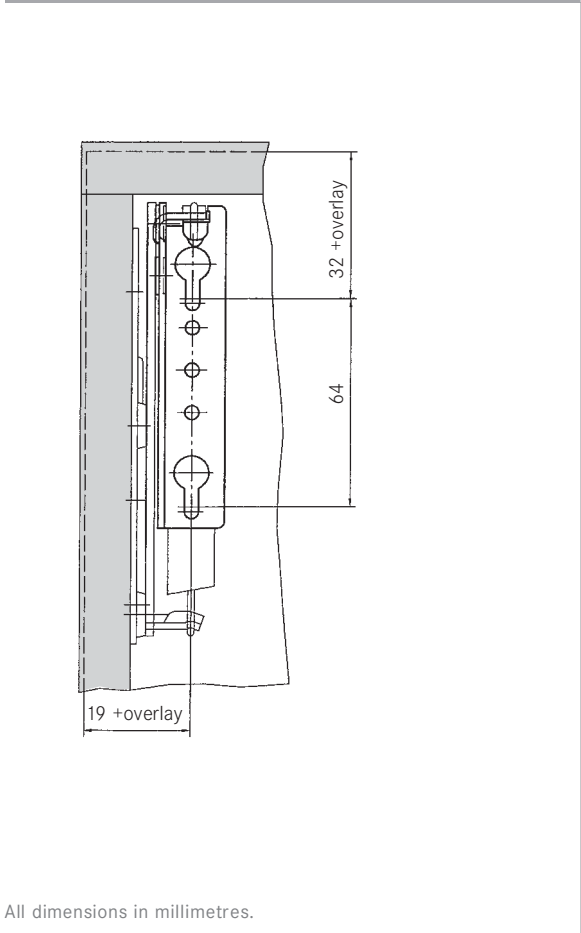
PU 100 = 1 carton with 100 fittings right and left, 100 mounting instructions

Other overlays on request.

One fitting – 2 opening angles Cabinet side mounting Wooden flap



Wooden or aluminium frame flaps (narrow screw-on bracket) Mounting of flaps with standard aluminium frames, width 19 mm



All dimensions in millimetres.

Kinvaro
flap systems

Quaturis
corner cabinet systems

Cabinet
suspension fittings

Single-joint
hinges

Parallel
lift fittings

Shelf supports

Index

Kinvaro T-105

Uplifting design plus powerful opening support.



Large front, sophisticated design. The Kinvaro T-105 opens flaps up to an angle of 105° - and keeps them there.

The wide adjusting range of the spring mechanism reduces the number of variants and ensures maximum flexibility for planning and installation. The Kinvaro T-105 takes everything easily in its stride: an efficient spring mechanism ensures effortless, convenient opening of flaps to any angle between 45° and 105° and holds them reliably in place. And installing the SK-105 flap is almost simpler still: the flap stay is simply clipped into place – done.

The Kinvaro T-105 is optionally available with a foot for wooden doors or for standard aluminium frame-type flaps with glass panels (width 19 mm). Door overlays of 12 mm – 17 mm are possible.

Hinges for use in combination with the Kinvaro T-105 can be found in the Grass Hinge Catalogue.



Example:
Nexis Click-on 22



Example:
Nexis Click-on 17AL

Drilling jigs for Kinvaro T-105 on request.

All product benefits at a glance

- Design perfection for all types of uses: kitchen, living room or office furniture
- Wide adjusting range for a broad spectrum of different flaps
- Variable opening angle holds flaps securely open at 45° to 105°
- Spring-assisted opening action for extremely convenient flap opening
- Convenient access to the cabinet interior, as the flap swings out of the work area
- Suitable for wooden doors and aluminium frame-type flaps with glass panels
- Can be used with another cabinet directly above
- Maintenance-free, no readjustment required
- High-grade die-cast zinc quality, nickel plated

Application range

Flap weight from 0,9 up to 10,4 kg

Flap size: width up to 1200 mm, height 300 - 500 mm

application range Kinvaro T-105

Flap height mm	Numbers of Kinvaro T-105	Klappengewicht inkl. Griff° in kg		
		Kinvaro T-105 spring	Kinvaro T-105 spring	Kinvaro T-105 spring
		red	standard	black
300	1	1.4 - 3.1	1.6 - 4,3	2.8 - 5.2
300	2	2.8 - 6.2	3.2 - 8.6	5.5 - 10.4
350	1	1.3 - 2.8	1.3 - 4.1	2.4 4.8
350	2	2.6 - 5.5	2.6 - 8.1	4.8 - 9.5
400	1	1.2 - 2.4	1.3 - 3.4	2.2 - 4.0
400	2	2.4 - 4.8	2.5 - 6.8	4.3 - 8.1
450	1	1.0 - 2.2	1.2 - 6.1	1.9 - 3.8
450	2	2.0 - 4.4	2.4 - 6.1	3.8 - 7.4
500	1	0.9 - 1.9	1.1 - 2.9	1.7 - 3.5
500	2	1.7 - 3.8	2.2 - 5.8	3.3 - 6.7

Calculation of flap weight (all measurements in dm)

Flap width x flap height x flap thickness x density⁽²⁾ + handle weight⁽³⁾ = flap weight

Example: 6 dm x 4 dm x 0.19 dm x 0.85 + 0.9 kg/dm³ = 4.8 kg

Calculation of Flap width (all measurements in dm)

$$\frac{\text{Flap weight} - \text{handle weight}^{(3)}}{\text{Flap height} \times \text{flap thickness} \times \text{density}^{(2)}} = \text{Flap width}$$

Example: $\frac{4.8 - 0.9}{4 \times 0.19 \times 0.85} = 6.0 \text{ dm (600 mm)}$

⁽²⁾ Density: pine/spruce = 0.45 kg/dm³, chipboard = 0.65 kg/dm³, MDF = 0.85 kg/dm³

⁽³⁾ Bar handles must be calculated with 0.1 kg per 100 mm handle width when calculating the flap weight. Other weights are possible. When using higher weights, please consult the manufacturer. We recommend performing a trial mounting before series application.





















Kinvaro T-105

Flap stay.

Ordering information for set packaging

The Kinvaro T-105 is available in industrial or set packaging.

Flap stay Kinvaro T-105 set packaging





	Designation	left/right	Overlay	Spring	Cover vap	Item No.
Kinvaro T-105	wood	left	variable	 red	black	D265.200.41.25
Kinvaro T-105	wood	right	variable	 red	black	D265.200.42.25
Kinvaro T-105	wood	left	variable	standard	black	D265.100.31.25
Kinvaro T-105	wood	right	variable	standard	black	D265.100.32.25
Kinvaro T-105	wood	left	variable	 black	black	D265.300.81.25
Kinvaro T-105	wood	right	variable	 black	black	D265.300.82.25
Kinvaro T-105	19 mm aluminium frame	left	13 mm	 red	black	D265.252.21.25
Kinvaro T-105	19 mm aluminium frame	right	13 mm	 red	black	D265.252.22.25
Kinvaro T-105	19 mm aluminium frame	left	13 mm	standard	black	D265.152.21.25
Kinvaro T-105	19 mm aluminium frame	right	13 mm	standard	black	D265.152.22.25
Kinvaro T-105	19 mm aluminium frame	left	13 mm	 black	black	D265.352.21.25
Kinvaro T-105	19 mm aluminium frame	right	13 mm	 black	black	D265.352.22.25
Kinvaro T-105	19 mm aluminium frame	left	14 mm	 red	black	D265.252.31.25
Kinvaro T-105	19 mm aluminium frame	right	14 mm	 red	black	D265.252.32.25
Kinvaro T-105	19 mm aluminium frame	left	14 mm	standard	black	D265.152.31.25
Kinvaro T-105	19 mm aluminium frame	right	14 mm	standard	black	D265.152.32.25
Kinvaro T-105	19 mm aluminium frame	left	14 mm	 black	black	D265.352.31.25
Kinvaro T-105	19 mm aluminium frame	right	14 mm	 black	black	D265.352.32.25
Kinvaro T-105	19 mm aluminium frame	left	16 mm	 red	black	D265.252.51.25
Kinvaro T-105	19 mm aluminium frame	right	16 mm	 red	black	D265.252.52.25
Kinvaro T-105	19 mm aluminium frame	left	16 mm	standard	black	D265.152.51.25
Kinvaro T-105	19 mm aluminium frame	right	16 mm	standard	black	D265.152.52.25
Kinvaro T-105	19 mm aluminium frame	left	16 mm	 black	black	D265.352.51.25
Kinvaro T-105	19 mm aluminium frame	right	16 mm	 black	black	D265.352.52.25
Kinvaro T-105	19 mm aluminium frame	left	17 mm	 red	black	D265.252.61.25
Kinvaro T-105	19 mm aluminium frame	right	17 mm	 red	black	D265.252.62.25
Kinvaro T-105	19 mm aluminium frame	left	17 mm	standard	black	D265.152.61.25
Kinvaro T-105	19 mm aluminium frame	right	17 mm	standard	black	D265.152.62.25
Kinvaro T-105	19 mm aluminium frame	left	17 mm	 black	black	D265.352.61.25
Kinvaro T-105	19 mm aluminium frame	right	17 mm	 black	black	D265.352.62.25
PU/packaging unit						PU 1

PU 1 = 1 carton with 1 fitting right or left incl. fixing bracket, 1 mounting instruction

Other overlays on request.

Ordering information for industrial packaging

Flap stay Kinvaro T-105 industrial packaging

	right/left	Overlay	Spring	Cover cap	Item No.
Kinvaro T-105	left	variable	 red	black	D265.200.51.25
Kinvaro T-105	right	variable	 red	black	D265.200.52.25
Kinvaro T-105	left	variable	standard	black	D265.100.31.25
Kinvaro T-105	right	variable	standard	black	D265.100.32.25
Kinvaro T-105	left	variable	 black	black	D265.300.31.25
Kinvaro T-105	right	variable	 black	black	D265.300.32.25
PU/packaging unit					PU 40

PU 40 = 1 carton with 40 fittings right or left, 1 mounting instruction, 40 adjusting instructions

Ordering information for industrial packaging

Front fixing bracket for flap stay Kinvaro T-105 industrial packaging

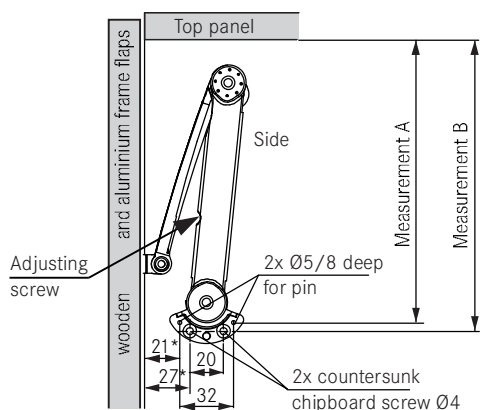
	Designation	right/left	Overlay	Item No.
Front fixing bracket	wood	right/left	variable	D265.902.11.25
Front fixing bracket	19 mm aluminium frame	right/left	13 mm	D265.952.21.25
Front fixing bracket	19 mm aluminium frame	right/left	14 mm	D265.952.31.25
Front fixing bracket	19 mm aluminium frame	right/left	16 mm	D265.952.51.25
Front fixing bracket	19 mm aluminium frame	right/left	17 mm	D265.952.61.25
PU/packaging unit				PU 40

PU 40 = 1 plastic bag with 40 fixing brackets right/left

Other overlays on request.

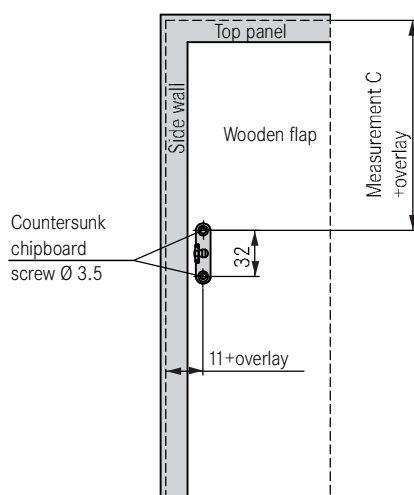
Mounting with wooden and aluminium frame flaps

Cabinet side

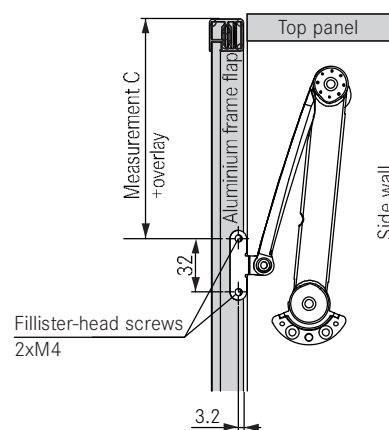


* Mounting dimensions with buffer width of 2 mm

Wooden flap



Aluminium frame flaps



Opening angle of hinge	Height of mounting plate	Measurement A	Measurement B	Measurement C
95°	00	169	174	118
	01	170	175	119
	•	•	•	•
	•	•	•	•
	X	169 + X	174 + X	118 + X
100°	00	167	172	116
	01	168	173	117
	•	•	•	•
	•	•	•	•
	X	167 + X	172 + X	116 + X
105° and above	00	164	169	113
	01	165	170	114
	•	•	•	•
	•	•	•	•
	X	164 + X	169 + X	113 + X

The mounting dimensions refer to standard concealed hinges with cranking 00.

The opening angle can vary between approx. 95° and approx. 105° depending on hinge type and mounting method. Minimum reveal and gap distances depend on the concealed hinge used. Suitable hinges can be found in the Grass Hinge Catalogue.

If concealed hinges with different opening angles are used when combining wooden and aluminium frame flaps, the smaller opening angle of the concealed hinges used is taken as the basis for the mounting dimension for **both** flaps.

A trial mounting is always recommended prior to series application!

All dimensions in millimetres.