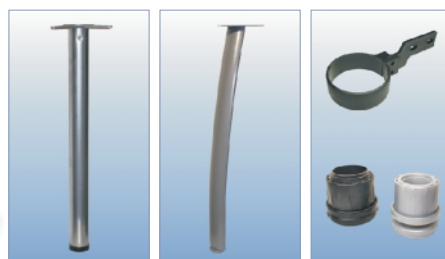


Stalo kojos ir priedai




Table Legs
Ноги для столов






18. Stalo kojios ir priedai


18.01 STALO KOJIOS

439


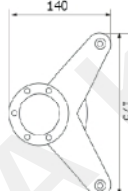
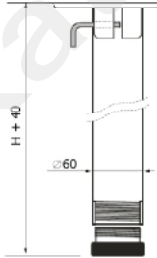
ART.   




| D | H | |
|----|-----|----|
| 50 | 710 | G |
| | | C |
| | | MC |
| | | MN |
| | | Me |
| | | Bl |

M PL 


285071

440

ART.   

| D | H | |
|----|-----|----|
| 60 | 710 | G |
| | | C |
| | | MC |
| | | MN |
| | | Me |
| | | Bl |
| | | Wh |
| | | PS |

M PL 

| D | H | |
|----|-----|----|
| 60 | 820 | C |
| | | Bl |
| | | PS |

| D | H | |
|----|-----|----|
| 60 | 870 | C |
| | | PS |

| D | H | |
|----|------|----|
| 60 | 1100 | C |
| | | Me |
| | | Bl |
| | | PS |

296071

296082

296087

2960110

| | | | | |
|----|----|-----|----|---------|
| M | C | H | D | 285071R |
| PL | MN | 760 | 50 | |
| | Me | | | |

441

| | | | | |
|----|----|-----|----|---------|
| M | C | H | D | 296071R |
| PL | MC | 760 | 60 | |
| | MN | | | |
| | Me | | | |
| | PS | | | |
| | | | | |


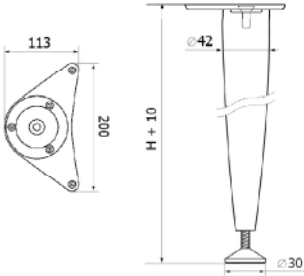
442

| | | | | |
|---|---|-----|----|-----|
| M | C | H | D | 240 |
| | | 400 | 25 | |
| | | 500 | | |
| | | 700 | | |


443

18. Stalo kojos ir priedai


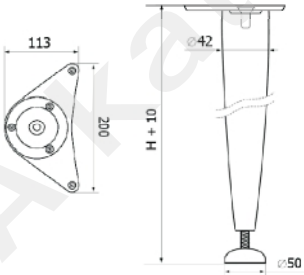
444


| | | | |
|---------|----|-----|----|
| ART. | A | M | M |
| 810/S30 | D | H | MC |
| | 42 | 710 | M |




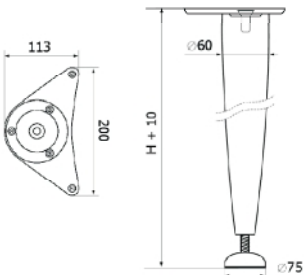
445


| | | | |
|---------|----|-----|----|
| ART. | A | M | M |
| 810/S50 | D | H | MC |
| | 42 | 710 | M |
| | | | PL |



446

| | | | |
|---------|----|-----|----|
| ART. | A | M | M |
| 820/S75 | D | H | MC |
| | 60 | 710 | M |
| | | | PL |



M C A R.T.

| | | | |
|----|----|-----|---------|
| M | H | D | |
| PL | MC | 710 | 60 |
| | | | 830/S75 |

120 120 60 H + 10 75

447

M C A R.T.

| | | | | |
|---|----|-----|----|-------|
| M | H | S | P | |
| | Me | 710 | 28 | 60 |
| | | | | EL710 |

120 120 28 60 H + 10

448

M C A R.T.

| | | | |
|----|----|-----|-------|
| AL | H | P | |
| PL | AI | 710 | 60 |
| | | | NA710 |

50 60 105 105 60 H + 35

449

18.

Stalo kojios ir priedai

450

60
60
105
160
65
H + 35
30
NAK710
P H
60 710 Me
M
PL

451

H
80
560
871
D H L
80 80 80
M

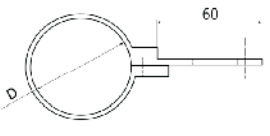

452

70 cm
125 cm
70
125
600
H - 10
145
400
187
285
30
75
D H P
30 710 600
G
C
MC
MN
Wh
Bl
Red
Ye
Me
M
PL

151

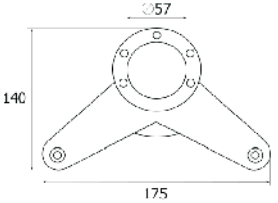

STALO KOJŲ PRIEDAI 18.02

| | | | |
|----|----|----|-----|
| | | | |
| PL | MC | BI | D |
| | | | 50 |
| | | | 60 |
| | | | 910 |

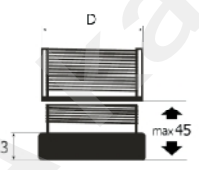
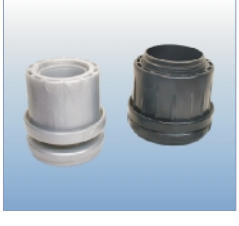
453

| | | | |
|---|----|----|-------|
| | | | |
| M | Me | D | |
| | | 57 | Z-240 |

454

| | | | |
|----|----|----|-----------|
| | | | |
| PL | MC | BI | D |
| | | | 47 |
| | | | 57 |
| | | | Z-200-051 |

455